

# AD-S802T and AD-S162T



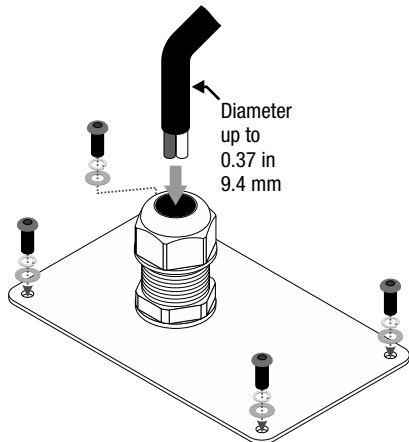
## Quick Start Guide

### Installation

AD-S802T and AD-S162T passive column loudspeaker systems require amplified audio signals. A pass-through on each loudspeaker permits connection to multiple loudspeakers.

The pluggable "Eurostyle" connectors allow the installer to pre-wire the audio system on site before the loudspeakers are installed.

### AD-S802T and AD-S162T Weather Cover



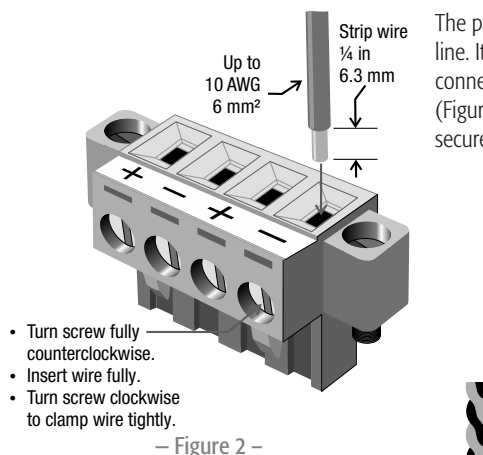
– Figure 1 –

The loudspeaker comes with a weather cover for the input cup to protect the input connections and switches from precipitation and other weather hazards (Figure 1). Use the weather cover for all outdoor installations or any applications where the loudspeaker may be exposed to moisture. To ensure a good seal in the cable gland, use outdoor-rated cable with a round jacket up to 0.37 in or 9.4 mm in diameter.

To use the weather cover:

1. Loosen the nut on the cable gland.
2. Pass the cable all the way through the nut and the rest of the gland.
3. Attach the input connector to the wires (see **Input Connector**, below).
4. Once the loudspeaker enclosure is installed, plug the input connector into the loudspeaker's input cup. Secure the connector to the loudspeaker using the two captive retaining screws, one on each end.
5. Make sure that the transformer tap selection switch is set properly. On the AD-S162T loudspeaker, also make sure that the vertical dispersion angle switch is set as desired.
6. Place the cover onto the loudspeaker's input cup and attach it using the four screws, lock washers, and flat washers provided.
7. Dress the cable so there is no undue strain on it. Tighten the gland nut until the grommet inside the gland has made a tight seal onto the cable jacket.

### Input Connector

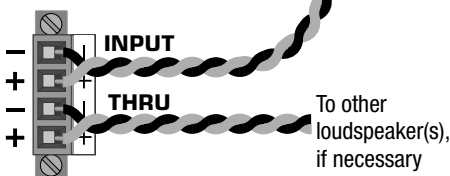


– Figure 2 –

The pluggable "Eurostyle" input connector (Figure 2) has four terminals to facilitate connection on a distributed line. It also allows the installer to pre-wire the venue before the loudspeakers themselves are installed. The connector accommodates wire up to 10 AWG or 6 mm<sup>2</sup>. Be sure of proper and consistent polarity at each connector (Figure 3). If one or more loudspeakers is out of polarity with others, the acoustic performance will suffer. Always secure the connector to the loudspeaker using the retaining screws at both ends.

- Turn screw fully counterclockwise.
- Insert wire fully.
- Turn screw clockwise to clamp wire tightly.

– Figure 2 –



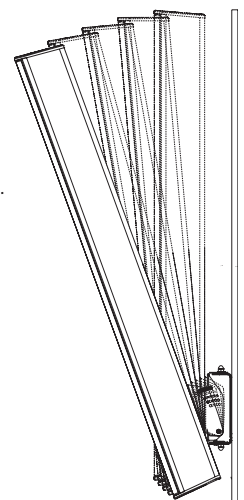
– Figure 3 –

### Mounting

#### Tilt/Swivel Bracket

The bracket provided with the loudspeaker allows 0, 5, 10, 15, and 20 degrees of downward tilt (Figure 4), and up to ±51 degrees of horizontal panning (Figure 5). These angles may be constrained by the loudspeaker enclosure and adjacent walls or other structural elements.

For mounting that requires no panning left or right, the bracket kit includes a zero-pan locking screw to keep the loudspeaker securely in place.

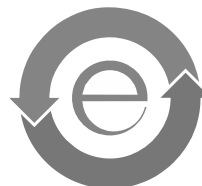


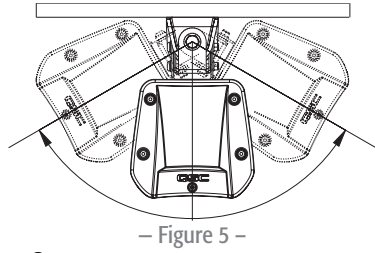
– Figure 4 –

TD-001504-00-B



TD-001504-00-B





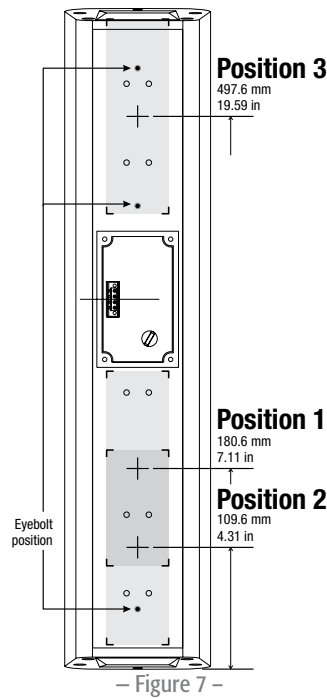
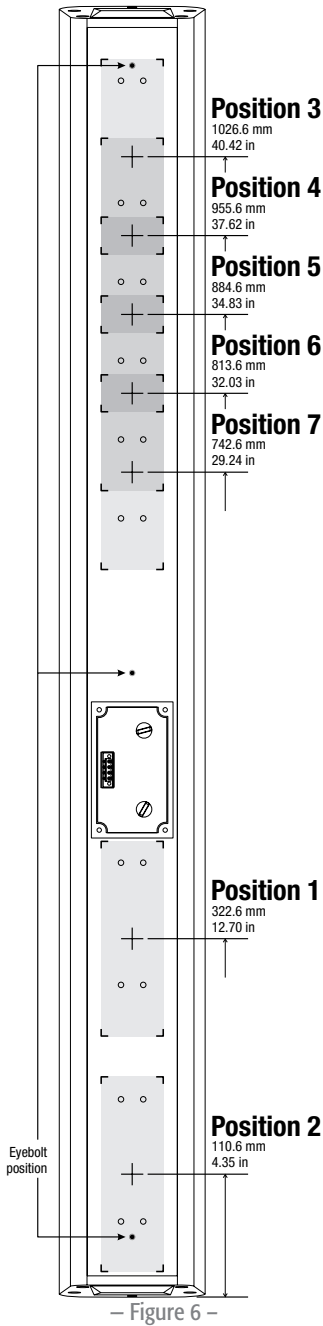
The AD-S802T has three attachment locations for the bracket and the AD-S162T has seven. Figures 6 and 7 show their center points, including distances from the bottom edge of the enclosure. Four M6 × 20 screws with flat washers are included for attaching the bracket to the rear panel of the enclosure.

An M6 eyebolt is included with the loudspeaker for attaching a safety tether, as may be required by building codes in your jurisdiction. Both models have three M6 threaded mounting holes along the centerline of the rear panel for attaching the eyebolt.

The tables below describe the pan range for different bracket positions and tilt angles.

AD-S802T Maximum Pan Range						
Bracket Position	0° tilt	5° tilt	10° tilt	15° tilt	20° tilt	Tilt bracket removed
1	±47°	±51°	±51°	±43°	±33°	±51°
2	±47°	±51°	±51°	±51°	±51°	±51°
3	±47°	±36°	N/A	N/A	N/A	N/A

AD-S162T Maximum Pan Range						
Bracket Position	0° tilt	5° tilt	10° tilt	15° tilt	20° tilt	Tilt bracket removed
1	±47°	±49°	±28°	0°	N/A	±51°
2	±47°	±51°	±51°	±51°	±51°	±51°
3	±47°	±8°	N/A	N/A	N/A	±51°
4	±47°	0°	N/A	N/A	N/A	±51°
5	±47°	N/A	N/A	N/A	N/A	±51°
6	±47°	N/A	N/A	N/A	N/A	±51°
7	±47°	N/A	N/A	N/A	N/A	±51°



### Attaching the wall piece

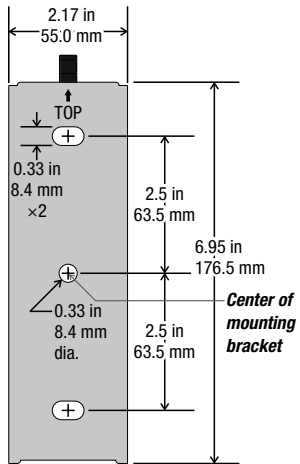
Attach the wall piece to the wall or other mounting surface. Use the template in Figure 8. Consult a structural engineer for guidance in selecting mounting locations and appropriate fasteners.

### Attaching the loudspeaker bracket pieces to allow tilting

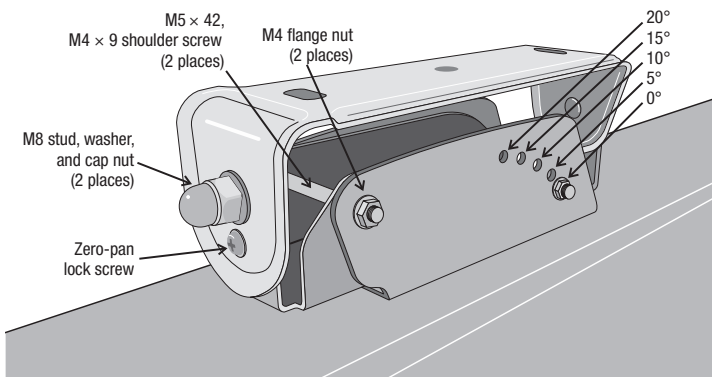
1. Select the appropriate attachment location for the bracket on the enclosure rear panel. Note that because of the wall or mounting surface, in most cases the lowest attachment location offers the widest range of tilt options, while the highest offers few, if any, tilt options.
2. Use all four M6×20 screws and their washers to secure the bracket to the enclosure. Note that the bracket has six mounting holes; some attachment locations use the long-spaced holes and some use the shorter ones.

NOTE: For convenience reasons we recommend configuring the tilt angle (Figure 9) before the loudspeaker and bracket are attached to the wall piece. However, you can adjust the tilt later, even after the loudspeaker has been installed.

3. Continue to **Attaching the loudspeaker to the wall piece**.



– Figure 8 –



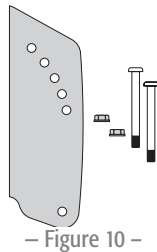
– Figure 9 –

### Attaching the loudspeaker bracket pieces for no-tilt mounting

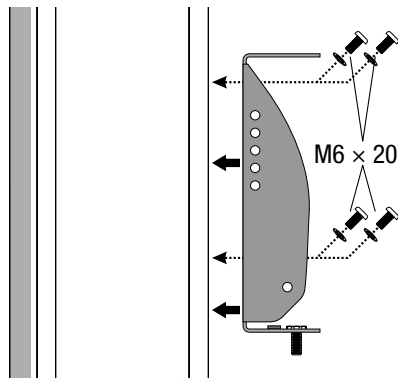
If the application does not require tilting the loudspeaker, you can either configure it for 0 degrees or you can simplify the mounting bracket.

To simplify the mounting bracket, follow these steps

1. Omit these parts of the bracket kit, shown in Figure 10.
2. Attach this remaining part of the bracket directly to the loudspeaker enclosure (see below left), using the four M6 x 20 screws (Figure 11).
3. Continue to **Attaching the loudspeaker to the wall piece**.



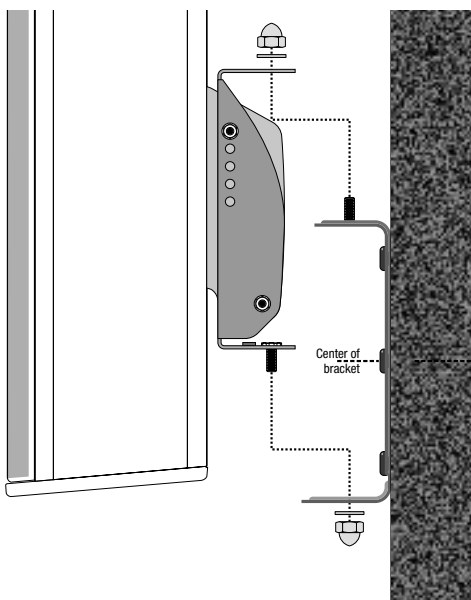
– Figure 10 –



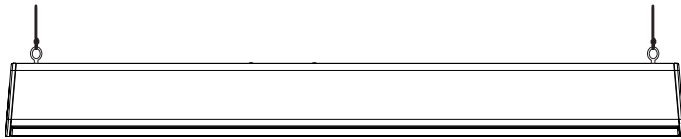
– Figure 11 –

### Attaching the loudspeaker to the wall piece

1. The wall piece has a stud on the top and the loudspeaker bracket piece has a stud on the bottom. Set the hole in the loudspeaker bracket piece over the wall piece's stud and guide the loudspeaker bracket's stud through the hole in the wall piece (Figure 12).
2. Set the loudspeaker down so it is supported fully by the wall piece.
3. Install a washer and cap nut on each stud and tighten them finger tight.
4. Adjust the horizontal pan of the loudspeaker as needed.
5. If the loudspeaker's desired horizontal angle is perpendicular to the wall, you may install the zero-pan locking screw to keep it from moving out of position. Make sure that the threaded hole in the loudspeaker bracket piece lines up with the hole in the wall piece, then insert and tighten the screw.
6. Tighten the cap nuts securely.



– Figure 12 –

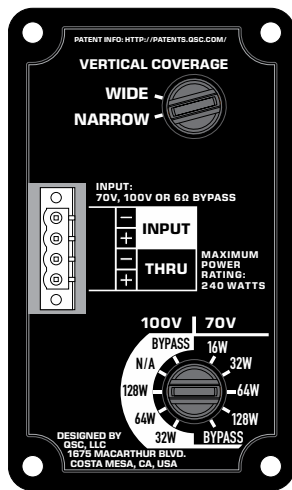


– Figure 13 –

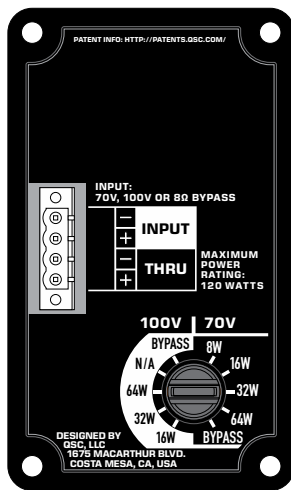
## Horizontal Suspension

The loudspeaker can also hang horizontally, facing down (Figure 13). Install two M6 eyebolts into the holes at each end of the rear panel. The loudspeaker comes with one clear finish eyebolt; additional eyebolts are available from QSC Technical Services Group: QSC part # HW-000323-01.

Each suspension line and the structural member it is attached to must be rated adequately in accordance with local codes. Consult a structural engineer for guidance.



– Figure 14 –



– Figure 15 –

## Power and Dispersion Selection

Use the selector switch in the input cup to either select the desired power for the loudspeaker or bypass the transformer altogether and directly connect the loudspeaker as a low impedance load. The switch is labeled for both 70 and 100-volt lines.

The AD-S162T (Figure 14) offers a choice of the loudspeaker's dispersion. The default setting is wide; the other selection is narrow, which is suitable for highly reverberant environments.

After you have completed the power and dispersion selection, install the weather cover, if necessary.



Mailing Address:

QSC, LLC  
1675 MacArthur Boulevard  
Costa Mesa, CA 92626-1468 USA

Telephone Numbers:

Main Number: +1 (714) 754-6175  
Sales & Marketing: +1 (714) 957-7100 or toll free (USA only) (800) 854-4079  
Customer Service: +1 (714) 957-7150 or toll free (USA only) (800) 772-2834

## WARNING

Read and follow these instructions carefully. If the loudspeakers are not suspended properly they could fall, causing personal injury and damage.

### Rules for Suspension

- Consult a professional mechanical or structural engineer—who is licensed in the jurisdiction of the sound system installation—to review, verify, and approve all attachments to the building or structure.
- Employ the services of a professional rigger for hoisting, positioning, and attaching the equipment to the supporting structure.
- Use all suspension hardware and components correctly.
- Before installing equipment, always calculate the suspended loads and make sure they do not exceed the limits of any suspension components and hardware.
- Consult local codes and regulations that govern the facility that you install the equipment in and comply with all their requirements for suspended loads.
- Use only the appropriate M6 eyebolts for suspending the loudspeaker.
- Be absolutely certain of the integrity of any structural member intended to support suspended loads. Structural members can have hidden structural weakness.
- Never assume anything! Owner- or third-party-supplied suspension attachment points might not be adequate for suspending the loads.
- Before lifting, always inspect all components (enclosures, suspension brackets, pins, frames, bolts, nuts, slings, shackles, etc.) for cracks, wear, deformation, and corrosion, as well as missing, loose, or damaged parts, which could reduce the strength of the assembly. Discard any worn, defective, or suspect parts and replace them with new appropriately load-rated parts.

### Shock Loading

Moving or stopping a load magnifies its static weight, and sudden actions will magnify the static weight greatly. This magnification is called *shock loading* and it can be dangerous to people and equipment. The effects of shock loading can be instantaneous but can also be gradual, remaining undetected until the equipment becomes visibly damaged or fails. Precautions for shock loading require careful planning, knowing the equipment's suspension requirements, and using proper lifting practices. Shock loading on equipment and structures occurs most often during lifting and installation, but natural forces (winds, earthquakes, and so on) can also impose shock loads that are several times greater than the static load. Therefore, structures and suspension equipment must always be rated at several times the weight of the suspended equipment.

Facsimile Numbers:

Sales & Marketing FAX: +1 (714) 754-6174  
Customer Service FAX: +1 (714) 754-6173

World Wide Web:

[www.qsc.com](http://www.qsc.com)

E-mail:

[info@qsc.com](mailto:info@qsc.com)  
[service@qsc.com](mailto:service@qsc.com)  
[tech\\_support@qsc.com](mailto:tech_support@qsc.com)

© 2017 QSC, LLC. All rights reserved. QSC and the QSC logo are registered trademarks of QSC, LLC in the U.S. Patent and Trademark office and other countries. All other trademarks are the property of their respective owners.

<http://patents.qsc.com>.