

AcousticDesign™ Series

QSC™

User Guide

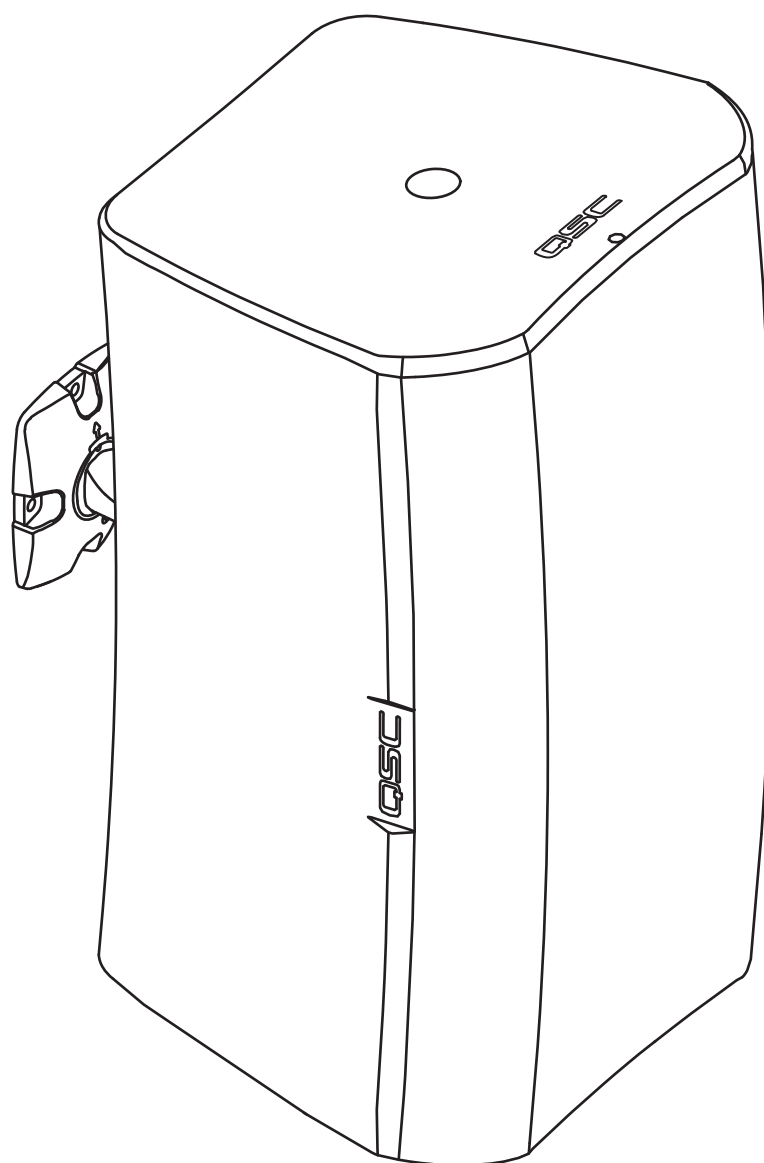
AD-S6T – 6" two-way, foreground/background loudspeaker with 70/100V transformer

AD-S8T – 8" two-way, foreground/background loudspeaker with 70/100V transformer

AD-S10T – 10" two-way, foreground/background loudspeaker with 70/100V transformer

AD-S12 – 12" two-way, foreground/background loudspeaker

AD-S112sw – 12" direct-radiating subwoofer



TD-000329-00-D



EXPLANATION OF SYMBOLS

The term "WARNING!" indicates instructions regarding personal safety. If the instructions are not followed the result may be bodily injury or death.

The term "CAUTION!" indicates instructions regarding possible damage to physical equipment. If these instructions are not followed, it may result in damage to the equipment that may not be covered under the warranty.

The term "IMPORTANT!" indicates instructions or information that are vital to the successful completion of the procedure.

The term "NOTE" is used to indicate additional useful information.



NOTE: The intent of the lightning flash with arrowhead symbol in a triangle is to alert the user to the presence of un-insulated "dangerous" voltage within the product's enclosure that may be of sufficient magnitude to constitute a risk of electric shock to humans.



NOTE: The intent of the exclamation point within an equilateral triangle is to alert the user to the presence of important safety, and operating and maintenance instructions in this manual.



IMPORTANT SAFETY INSTRUCTIONS



WARNING!: TO PREVENT FIRE OR ELECTRIC SHOCK, DO NOT EXPOSE THIS EQUIPMENT TO RAIN OR MOISTURE.



WARNING!: While it is possible for one person to lift a loudspeaker, it is important to use proper lifting techniques. Suggested reading: OSHA Technical Manual on Back Disorders and Injuries (http://www.osha.gov/dts/osta/otm/otm_vii/otm_vii_1.html#app_vii:1_2).

- Keep these instructions.
- Heed all warnings.
- Follow all instructions.
- Clean only with a dry cloth.
- Do not install near any heat sources such as radiators, heat registers, stoves, or other apparatus (including amplifiers) that produce heat.
- Only use attachments/accessories specified by the manufacturer.
- Refer all servicing to qualified service personnel.
- Adhere to all applicable, local codes.
- Consult a licensed, professional engineer when any doubt or questions arise regarding a physical equipment installation.

Introduction

AcousticDesign series is a line of premium surface-mount loudspeakers intended for permanent installation applications. Housed in rugged ABS molded enclosures, each loudspeaker (except the AD-S12 and AD-S112sw) features a 70/100V transformer for use with distributed-audio lines. The unique X-Mount™ Bracket and Euro-style connector, supplied with each AcousticDesign loudspeaker, are designed for maximum flexibility and a quick install. Featuring a knurled ball-mount and discrete angle deployment marks, installers can set loudspeaker deployment angles quickly and securely. The Euro-style connector allows pre-wiring of the system and when combined with the quick "snap-on" deployment of the loudspeaker to the mount, installation is completed in a fraction of the time required versus competitive models.

Unpacking

Package Contents

1. Quick-Start Guide
2. AcousticDesign Loudspeaker
3. Euro-style Connector, 4-pin
4. Terminal Weather Protection Cover
5. Phillips Screws (4) M4 (Terminal Weather Protection Cover)
6. X-Mount™ Bracket (Yoke Mount for AD-S112sw)

Set the Transformer Tap Switch

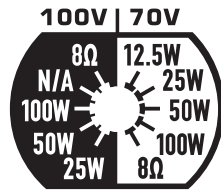
Refer to – Figure 1

1. Insert a 4mm flat-tip screwdriver into Transformer Tap hole and engage the slot.
2. At fully clockwise the transformer is in 8Ω-bypass.

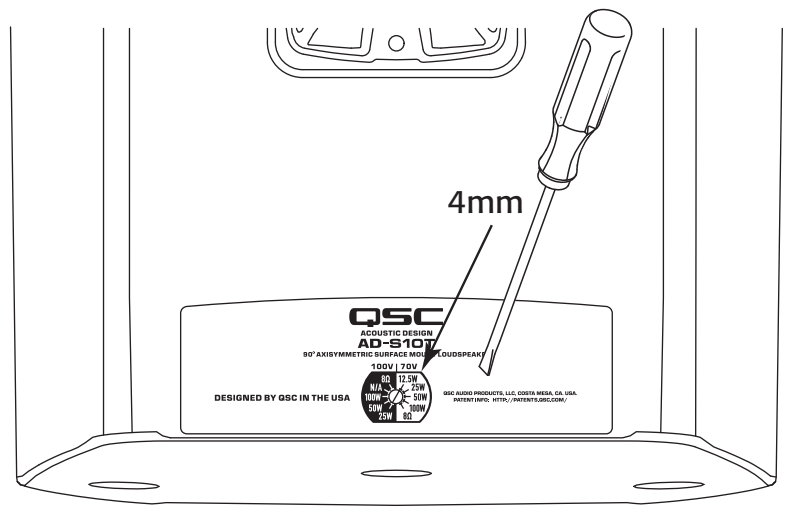
AD-S10T

100 Volt	70 Volt
8 Ω	8 Ω
N/A	100W
100W	50W
50W	25W
25W	12.5W

– Table 1 –



– Figure 2 –

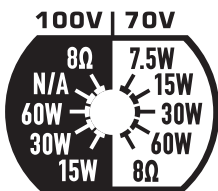


– Figure 1 –

AD-S6T, AD-S8T

100 Volt	70 Volt
8 Ω	8 Ω
N/A	60W
60W	30W
30W	15W
15W	7.5W

– Table 2 –



– Figure 3 –

Mount the Loudspeakers

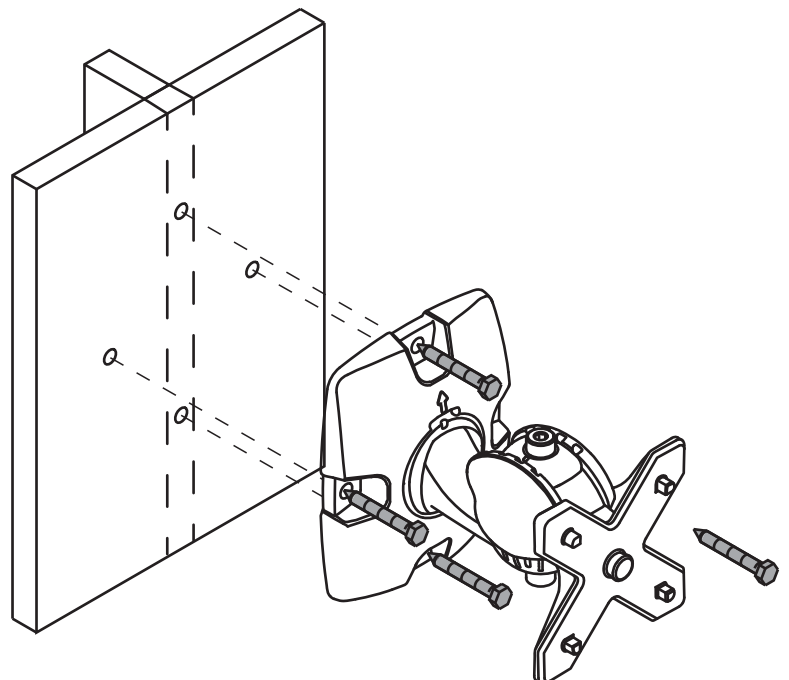
Install the X-Mount™ Bracket

Refer to – Figure 4



WARNING!: Install the system in accordance with local building codes and regulations. Use a licensed contractor or professional engineer. QSC Audio Products is not responsible for damages resulting from the negligent installation of any bracket or loudspeaker.

1. Mount to a surface capable of supporting the weight of the loudspeaker.



– Figure 4 –

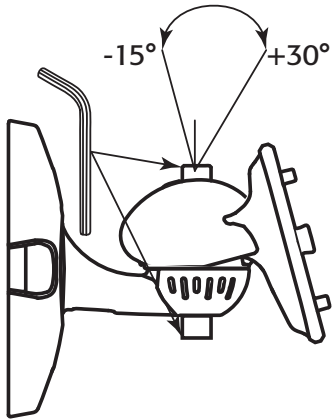
Adjust the Angle of the X-Mount™ Bracket

Refer to – Figure 5

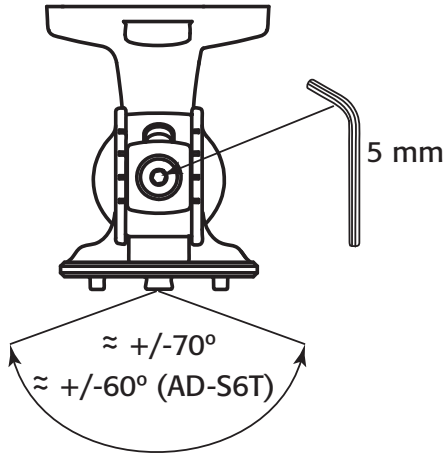


NOTE: This step may be done now or after mounting the loudspeaker.

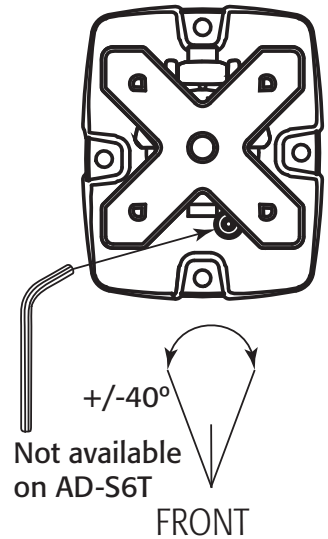
- 1. Use a 5mm hex wrench to loosen the adjustment locking screws.
- 2. Orient the bracket as necessary.



SIDE



TOP



FRONT

– Figure 5 –

- 3. Tighten the adjustment locking screws.

EN

Mount the Loudspeaker on the Bracket

Refer to – Figure 6.



NOTE: The loudspeaker can be placed on the mount in ANY direction (Up, Down, Left, Right).

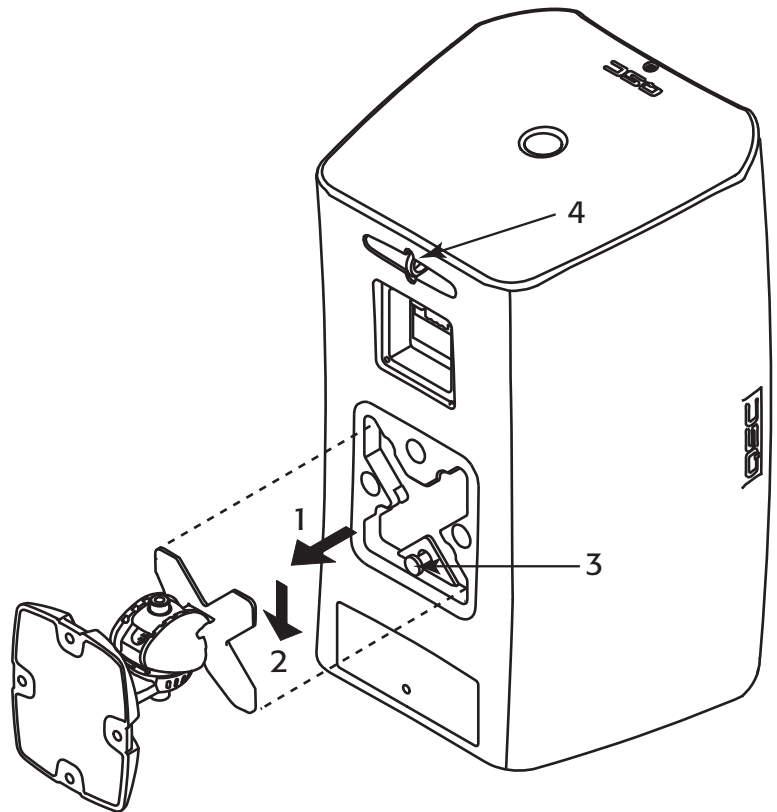
1. Align the "X" slot with the X-Mount™ bracket and push the loudspeaker onto the bracket. (1)
2. When seated, pull the loudspeaker down to lock the loudspeaker onto the bracket. (2)
3. (Optional) Remove and retain the security tab (3); pull straight out. To remove the loudspeaker, re-install the security tab, press in and then remove the loudspeaker.

Connect a Safety Tether (Not supplied)



WARNING! DO NOT connect the tether to the mounting bracket or the screws holding the mounting bracket.

1. It is recommended that you connect a safety tether from the safety ring (4) on the back of the loudspeaker to a spot on the wall that is structurally sufficient to hold the weight of the loudspeaker in the event the loudspeaker should fall.



– Figure 6 –

EN

Suspend the Loudspeaker

Refer to – Figure 7



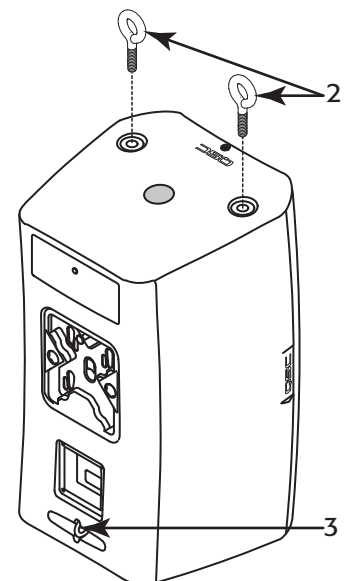
WARNING! Suspend the loudspeaker in accordance with local building codes and regulations. Use a licensed contractor or professional engineer. QSC Audio Products is not responsible for damages resulting from the negligent installation of suspension cabling, or loudspeaker.

The AcousticDesign loudspeakers (models AD-S8T, AD-S10T and AD-S12) may be suspended using the pull-back point and M10 eyebolts you install at the bottom of the enclosures.



NOTE: Suspending the enclosure woofer side up positions the HF closer to the listener and helps improve bass response when coupled against the ceiling and wall planes.

1. Remove 2 M10 plugs (not shown) from the bottom of the loudspeaker enclosure.
2. Install two M10 -1.5 eyebolts (2) (accessory M10 Kit-C) in the M10 installation points on the bottom of the loudspeaker enclosure.
3. Attach an appropriate cable to the tether Safety Ring (3) for the pull-back point.



– Figure 7 –

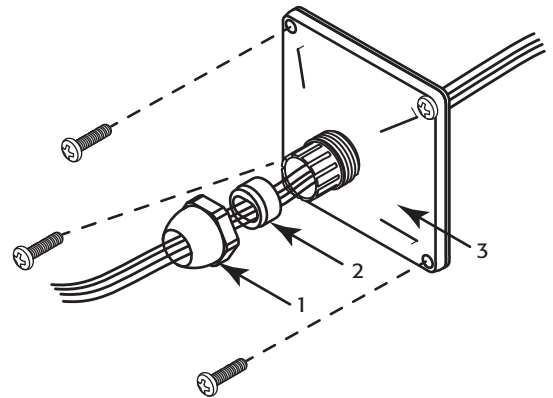
Yoke-mount the Loudspeaker

In addition to the mounting methods listed above, you can mount the loudspeaker using the optional Yoke mounting kit. Refer to instructions provided in the Yoke kit. See the "Specifications" on page 12 for information.

Install the Weather Cover (Optional)

Refer to – Figure 8

1. Slide the nut (1), compression gasket (2), and weather cover / gasket (3) over the wiring for the loudspeaker.
2. Terminate the wiring to the Euro-style connector, refer to "Wire the Loudspeaker" on page 6
3. Install the Euro-style connector.
4. Slide the weather cover/gasket (3) up next to the connection box, use a small amount of wire, inside the cover, to provide strain relief.
5. Attach the weather cover to the enclosure with four screws (supplied).
6. Slide the compression gasket (2) into the weather cover receptacle.
7. Slide the nut over the weather cover receptacle and tighten.

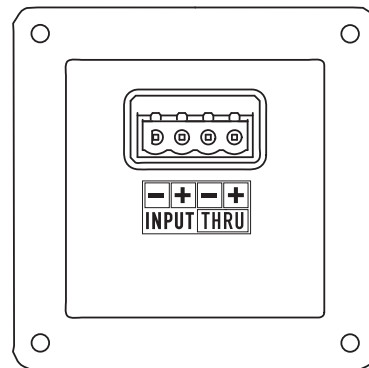
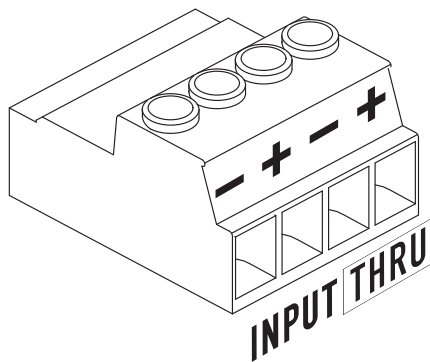


– Figure 8 –

Wire the Loudspeaker

Use up to 12 gage wiring as appropriate. Refer to – Figure 9.

1. If you are using the optional weather cover, make sure the wiring is inserted through all three parts of the weather cover in the proper order.
2. Install the negative and positive wires in the "Input" +/- as shown. Tighten the wire-clamp screws.
3. Install the daisy-chaining wires into the "Thru" +/- as shown. These wires go to the next loudspeaker in the daisy-chain.

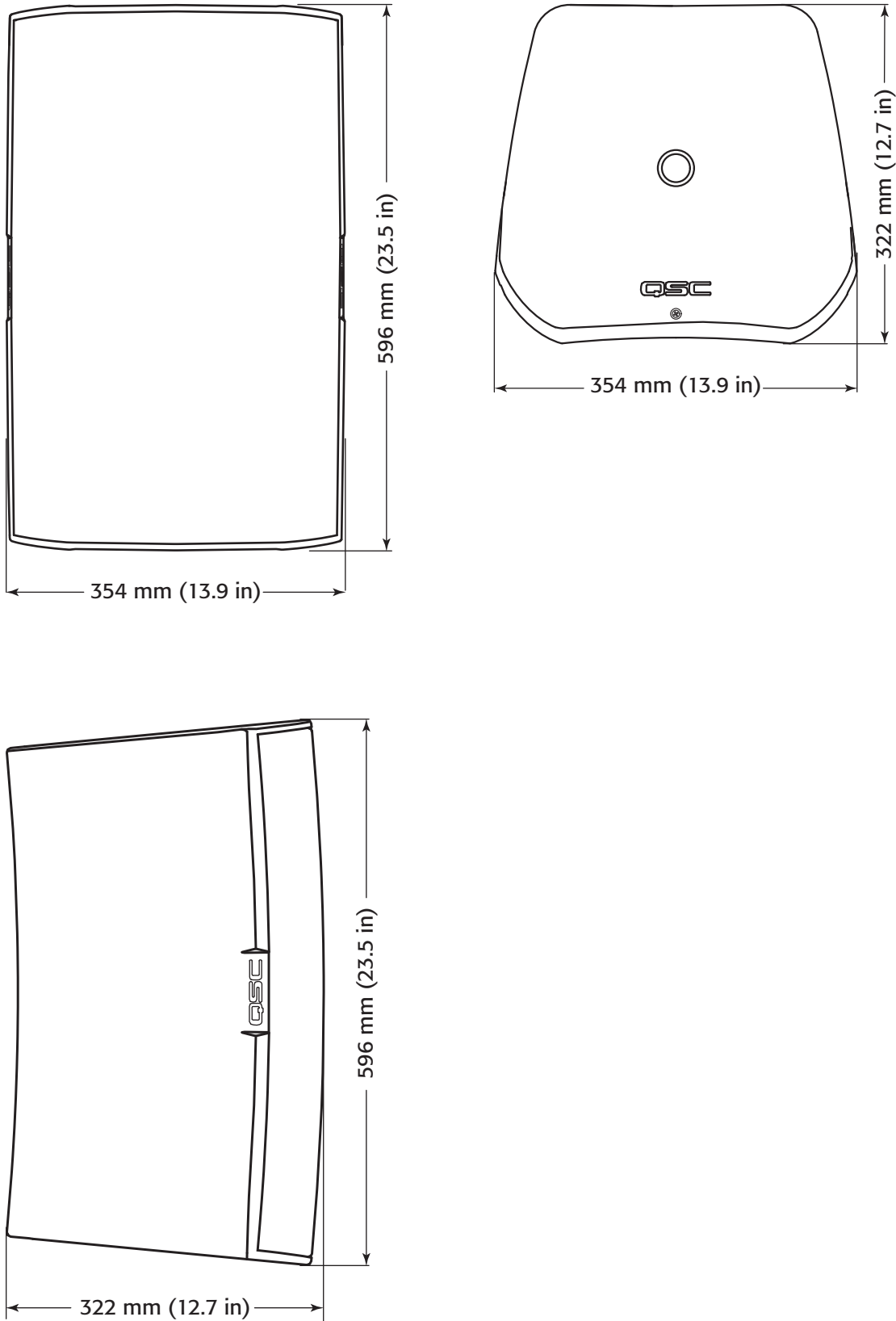


– Figure 9 –

Remove the Loudspeaker

1. Make sure all the wiring is disconnected, and the safety tether is removed.
2. If the security tab, located at the base of the loudspeaker mount, has NOT been removed, push the tab in and slide the loudspeaker in the opposite direction of how it was installed.
3. If the security tab has been removed, re-insert it, or use a small rod (<math>< 4 \text{ mm} / 0.16''</math>) to push in and release the mount lock.

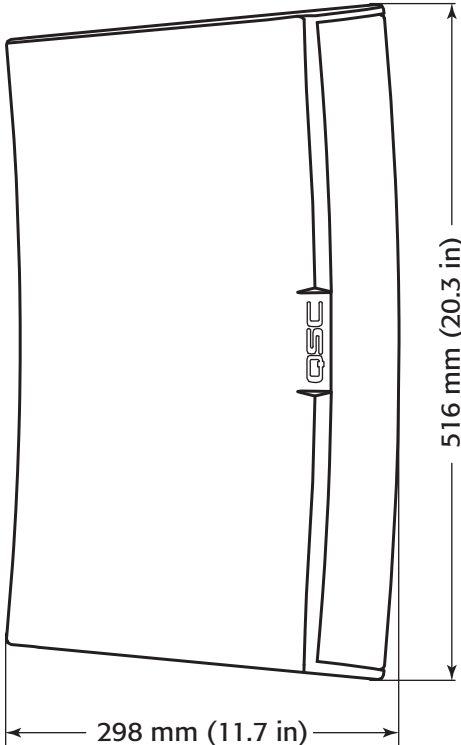
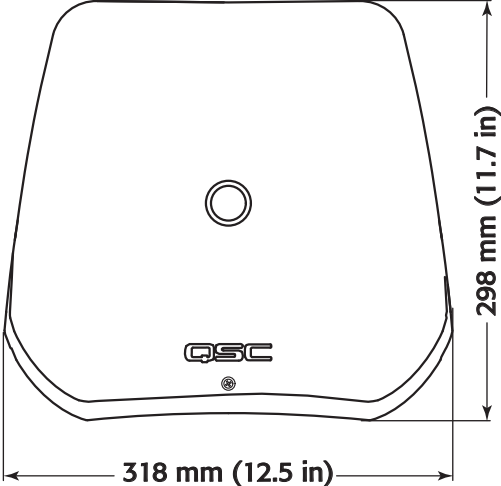
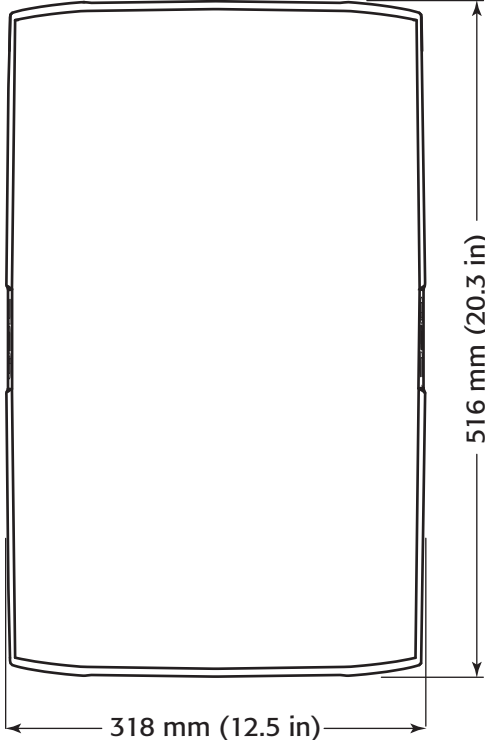
AD-S12 Dimensions



EN

– Figure 10 –

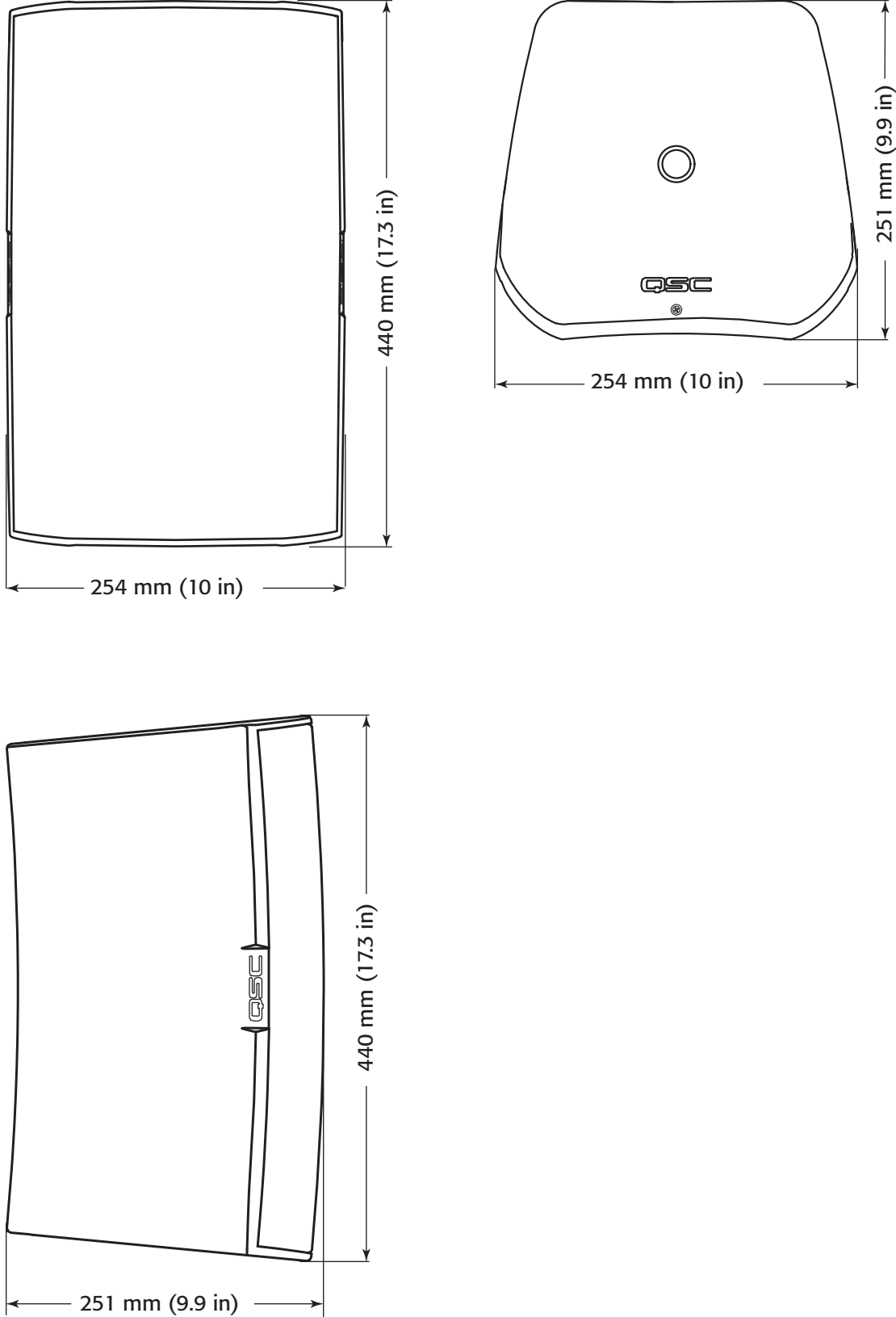
AD-S10T Dimensions



- Figure 11 -

EN

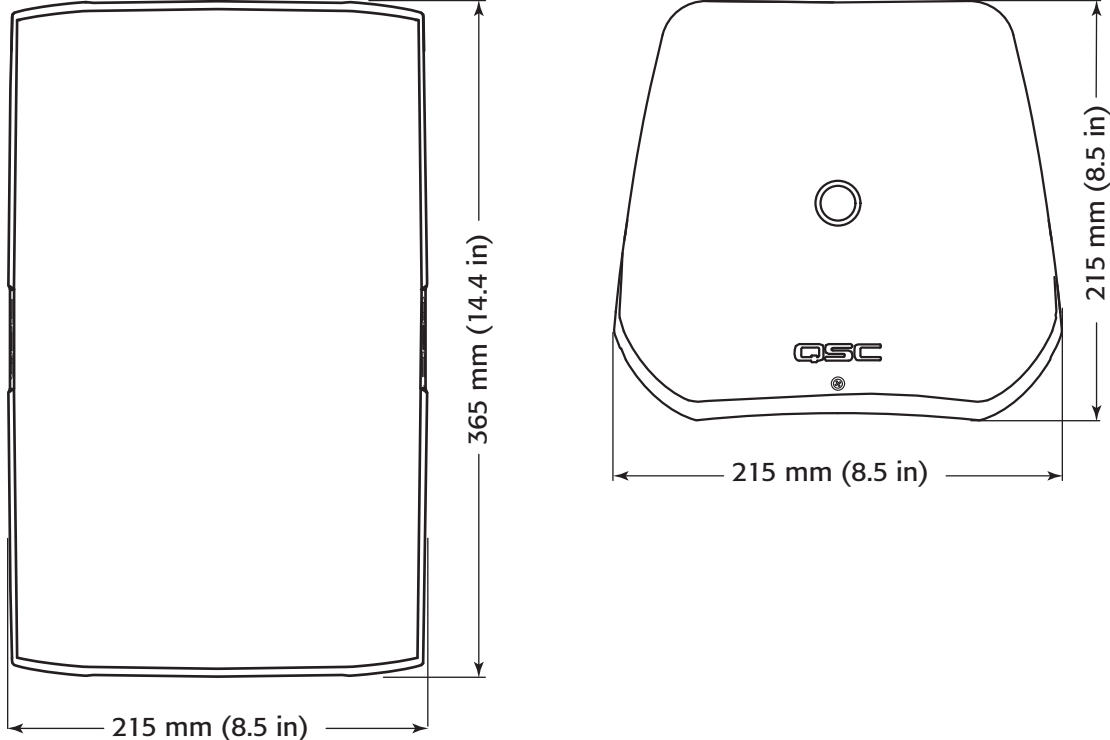
AD-S8T Dimensions



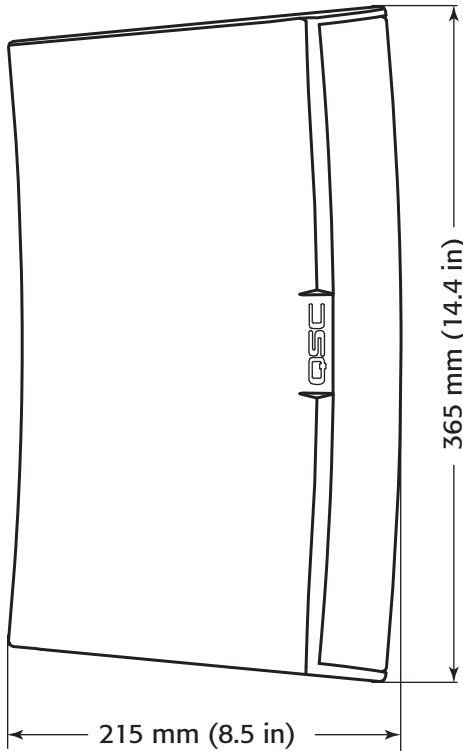
EN

- Figure 12 -

AD-S6T Dimensions

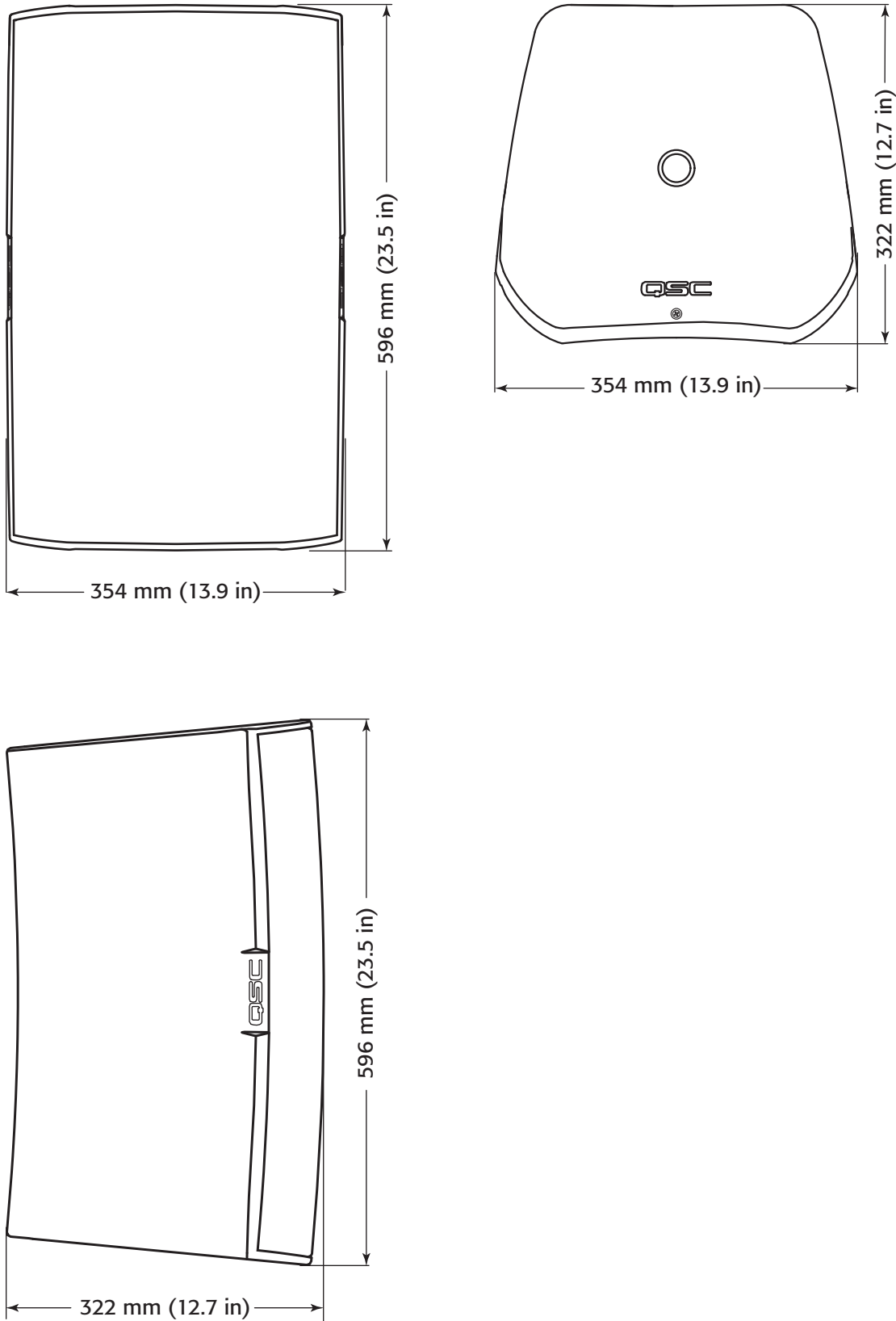


EN



– Figure 13 –

AD-S112sw Dimensions



EN

- Figure 14 -

Specifications

	AD-S6T	AD-S8T	AD-S10T
Configuration	6" 2-way with transformer	8" 2-way with transformer	10" 2-way with transformer
Effective Frequency Range (-10 dB) ¹	60 – 20 kHz	55 – 20 kHz	50 – 19 kHz
Rated Voltage / Power ²	35 Vrms / 150 W	40 Vrms / 200 W	45 Vrms / 250 W
Broad-band Sensitivity ³	89 dB SPL	90 dB SPL	92 dB SPL
Coverage Angle (-6 dB) ⁴	105°	105°	90°
Directivity Factor (Q)	5	7	10
Directivity Index	7 dB	9 dB	10 dB
Maximum SPL Continuous (1 m) ⁵	110 dB	113 dB	116 dB
Maximum SPL Peak (1 m) ⁵	116 dB	119 dB	122 dB
Nominal Impedance	8Ω	8Ω	8Ω
Recommended Amplifier Power	300 W	400 W	500 W
Transformer Tap 70 V	60, 30, 15, 7.5 W and 8Ω bypass	60, 30, 15, 7.5 W and 8Ω bypass	100, 50, 25, 12.5 W and 8Ω Bypass
Transformer Tap 100 V	60, 30, 15 W and 8Ω bypass	60, 30, 15 W and 8Ω bypass	100, 50, 25 W and 8Ω Bypass
High-frequency Transducer	1" silk dome tweeter / 1" voice-coil horn loaded	1" Exit / 1.4" Voice-coil Compression Driver	1" Exit / 1.4" Voice-coil Compression Driver
Low-frequency Transducer	6" weather resistant paper cone woofer, 38 mm / 1.5" voice-coil	8" Weather Resistant Paper Cone Woofer, 50 mm / 2" Voice-coil	10" Weather Resistant Paper Cone Woofer, 64 mm / 2.5" Voice-coil
Input Connector	Euro-style Connector with Parallel Output		
Enclosure Details			
Material	ABS Polymer		
Finish	Black RAL 9011 or White RAL 9010 Paint		
Grille	Powder-coated Aluminum		
X-Mount Material	Powder-coated Aluminum		
Ingress Protection	Meets IP-54 for dust and splash resistance.		
Operating Environment	Designed for indoor and outdoor use		
Operating Temperature Range	-20 to 50 °C / -4 to 122 °F		
Testing: Qualified for outdoor use using the following tests:	Salt fog: MIL-STD-810G Method 509.5 for 100 hrs. Humidity: MIL-STD-810G Method 507.5, Natural cycle B2, cyclic high RH for 7 days High and low temperature: tested to QSC internal standards between -20° and 50° C		
Weight (Net)	6.2 kg / 13.6 lbs	11 kg / 24 lbs	14 kg / 31 lbs
Dimensions (HWD)	365 mm x 215 mm x 215 mm 14.4" x 8.5" x 8.5"	440 mm x 254 mm x 251 mm 17.3" x 10.0" x 9.8"	516 mm x 318 mm x 298 mm 20.3" x 12.5" x 11.7"
Included Accessories	X-Mount™ system, Euro-style connector, input panel cover	X-Mount™ system, Euro-style connector	X-Mount™ system, Euro-style connector
Optional Accessories	N/A	Yoke Mount Bracket Kit – YMS8T-WHT / YMS8T-BLK M10 Kit-C	Yoke Mount Bracket Kit – YMS10T-WHT / YMS10T-BLK M10 Kit-C

¹ Free-field, -10 dB from on-axis sensitivity

² IEC60268-1 noise signal for 2 Hrs

³ On-Axis, free-field sensitivity, 2.83V, 1 m

⁴ Coverage angle measured with 3 - 10 kHz bandwidth

⁵ Calculated from rated noise voltage and sensitivity

Specifications

	AD-S12	AD-S112sw
Configuration	12" 2-way	12" direct-radiating subwoofer
Effective Frequency Range (-10 dB) ¹	52 – 20 kHz	30 – 135 Hz
Rated Voltage / Power ²	50 Vrms / 300 W	50 Vrms / 300 W
Broad-band Sensitivity ³	95 dB SPL	90 dB SPL
Coverage Angle (-6 dB) ⁴	75°	M10 Kit-C
Directivity Factor (Q)	12	N/A
Directivity Index	11 dB	N/A
Maximum SPL Continuous (1 m) ⁵	120 dB	115 dB
Maximum SPL Peak (1 m) ⁵	126 dB	121 dB
Nominal Impedance	8Ω	8Ω
Recommended Amplifier Power	600 W	600 W
Transformer Tap 70 V	N/A	N/A
Transformer Tap 100 V	N/A	N/A
High-Frequency Transducer	1" Exit / 1.4" Voice-coil Compression Driver	N/A
Low-frequency Transducer	12" Weather Resistant Paper Cone Woofer, 64 mm / 2.5" Voice-coil	12" weather resistant paper cone woofer, 64 mm / 2.5" voice-coil
Input Connector	Euro-style Connector with Parallel Output	
Enclosure Details		
Material	ABS Polymer	
Finish	Black RAL 9011 or White RAL 9010 Paint	Black RAL 9011 Paint
Grille	Powder-coated Aluminum	
Yoke Material	Powder coated galvanized steel	
Ingress Protection	Meets IP-54 for dust and splash resistance.	
Operating Environment	Designed for indoor and outdoor use	
Operating Temperature Range	-20 to 50 °C / -4 to 122 °F	
Testing: Qualified for outdoor use using the following tests:	Salt fog: MIL-STD-810G Method 509.5 for 100 hrs. Humidity: MIL-STD-810G Method 507.5, Natural cycle B2, cyclic high RH for 7 days High and low temperature: tested to QSC internal standards between -20° and 50° C	
Weight (Net)	16 kg / 35.0 lbs	13.2 kg / 29 lbs
Dimensions (HWD)	596 mm x 354 mm x 323 mm 23.5" x 13.9" x 12.7"	596 mm x 354 mm x 322 mm 23.5" x 13.9" x 12.7"
Included Accessories	X-Mount™ system, Euro-style connector	Yoke Mount (White or Black), Euro-style Connector
Optional Accessories	Yoke Mount Bracket Kit – YMS12-WHT / YMS12-BLK M10 Kit-C	M10 Kit-C

¹ Free-field, -10 dB from on-axis sensitivity

² IEC60268-1 noise signal for 2 Hrs

³ On-Axis, free-field sensitivity, 2.83V, 1 m

⁴ Coverage angle measured with 3 - 10 kHz bandwidth

⁵ Calculated from rated noise voltage and sensitivity



Mailing Address:

QSC Audio Products, LLC
1675 MacArthur Boulevard
Costa Mesa, CA 92626-1468 USA

Telephone Numbers:

Main Number: (714) 754-6175
Sales & Marketing: (714) 957-7100 or toll free (USA only) (800) 854-4079
Customer Service: (714) 957-7150 or toll free (USA only) (800) 772-2834

Facsimile Numbers:

Sales & Marketing FAX: (714) 754-6174
Customer Service FAX: (714) 754-6173

World Wide Web:

www.qsc.com

E-mail:

info@qsc.com
service@qsc.com

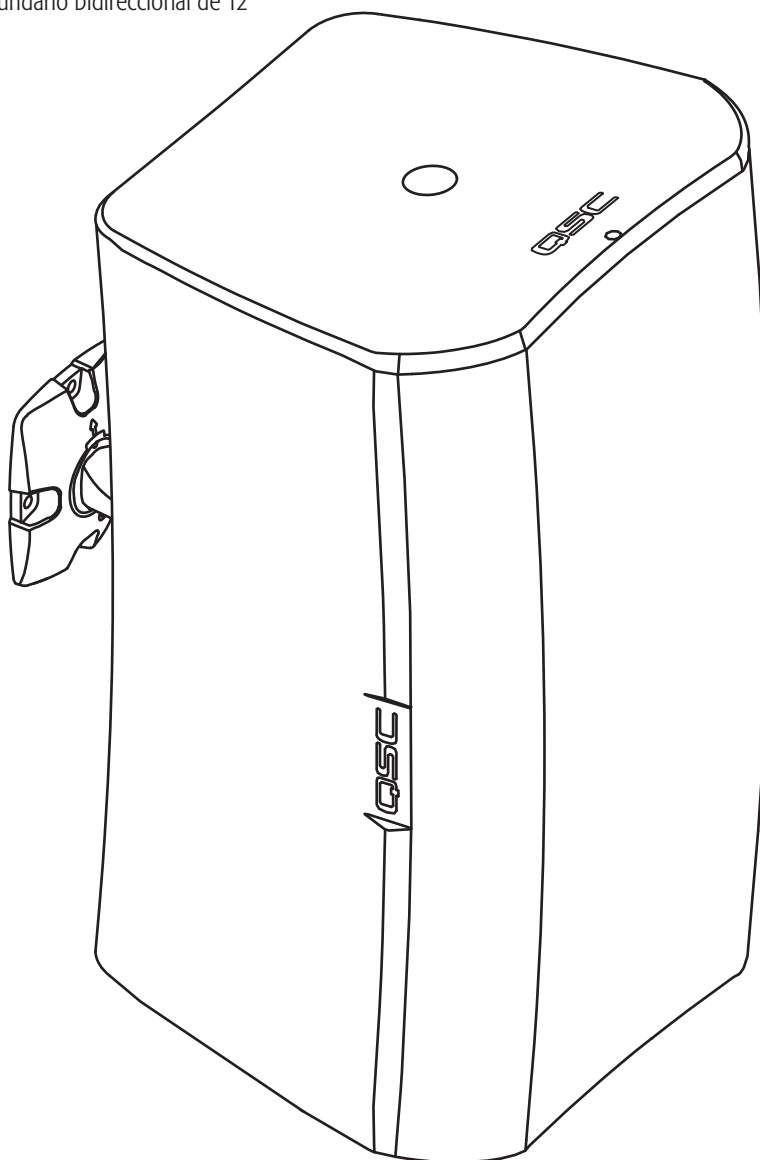
Guía del usuario

AD-S6T – altavoz principal/secundario bidireccional de 6" con transformador de 70/100 V

AD-S8T – altavoz principal/secundario bidireccional de 8" con transformador de 70/100 V

AD-S10T – altavoz principal/secundario bidireccional de 10" con transformador de 70/100 V

AD-S12 – altavoz principal/secundario bidireccional de 12"



EXPLICACIÓN DE LOS SÍMBOLOS

El término “**¡ADVERTENCIA!**” indica instrucciones con respecto a la seguridad personal. Si no se siguen dichas instrucciones, se pueden ocasionar lesiones corporales o la muerte.

El término “**¡PRECAUCIÓN!**” indica instrucciones con respecto a posibles daños al equipo físico. Si no se siguen dichas instrucciones, se pueden ocasionar daños al equipo que pueden no estar cubiertos bajo la garantía.

El término “**¡IMPORTANTE!**” indica instrucciones o información que son vitales para completar satisfactoriamente el procedimiento.

El término “**NOTA**” se utiliza para indicar información adicional de utilidad.



NOTA: La intención del símbolo de un rayo con punta de flecha dentro de un triángulo equilátero es alertar al usuario de la presencia de voltaje “peligroso” no aislado dentro de la caja del producto, que puede ser de suficiente magnitud para constituir un riesgo de descarga eléctrica a los seres humanos.



NOTA: La intención del signo de exclamación dentro de un triángulo equilátero es alertar al usuario de la presencia de importantes instrucciones de seguridad, operación y mantenimiento en este manual.



INSTRUCCIONES IMPORTANTES DE SEGURIDAD



¡ADVERTENCIA! PARA PREVENIR INCENDIOS O DESCARGAS ELÉCTRICAS, NO EXPONGA ESTE EQUIPO A LA LLUVIA NI A LA HUMEDAD.



¡ADVERTENCIA! Si bien es posible que una persona levante un altavoz, es importante utilizar las técnicas apropiadas para levantarlo. Se recomienda leer el manual técnico de la OSHA sobre trastornos y lesiones de la espalda (http://www.osha.gov/dts/osta/otm/otm_vii/otm_vii_1.html#app_vii:1_2).

- Conserve estas instrucciones.
- Ponga atención a todas las advertencias.
- Siga todas las instrucciones.
- Límpielo solo con un paño seco.
- No lo instale cerca de fuentes de calor tales como radiadores, rejillas térmicas, estufas ni otros aparatos (inclusive amplificadores) que produzcan calor.
- Use solo piezas/accesorios especificados por el fabricante.
- Refiera todo el servicio a personal calificado.
- Cumpla con todos los códigos locales aplicables.
- Consulte a un ingeniero profesional con la debida licencia cuando surjan dudas o preguntas referentes a la instalación física del equipo.

Introducción

La serie AcousticDesign es una línea de altavoces de montaje en superficie diseñada para aplicaciones con instalaciones permanentes. Alojado en resistentes cajas moldeadas con ABS, cada altavoz (salvo el AD-S12) cuenta con un transformador de 70/100 V para utilizarse en líneas de sonido distribuido. El soporte X-Mount™ y el conector de estilo europeo exclusivos, suministrados con cada altavoz AcousticDesign, están diseñados para aportar una flexibilidad máxima y facilitar la instalación rápida. Con un montaje de bola moleteado y discretas marcas de colocación en ángulo, los instaladores pueden disponer ángulos de colocación de los altavoces de forma rápida y segura. El conector de estilo europeo permite precablear el sistema y, cuando se combina con la colocación de conexión a presión del altavoz al soporte, la instalación se completa en una fracción del tiempo requerido por los modelos de la competencia.

Desembalaje

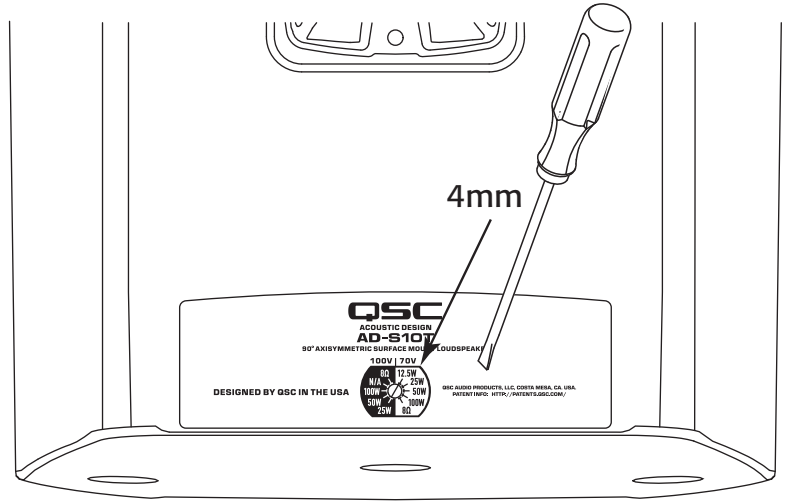
Contenido de la caja

1. Guía de inicio rápido
2. Altavoz AcousticDesign
3. Conector de estilo europeo, 4 patillas
4. Cubierta resistente a la intemperie
5. Tornillos Phillips (4) M4 (para la cubierta resistente a la intemperie)
6. Soporte X-Mount™

Configure el conmutador de tomas del transformador

Consulte Figure 1.

1. Inserte un destornillador de punta plana de 4 mm en el orificio de la toma del transformador y acóplelo a la ranura.
2. Girado totalmente a la derecha, el transformador está en derivación de 8 Ω.

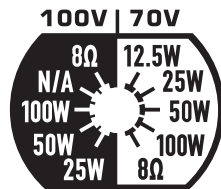


– Figure 1 –

AD-S10T

100 V	70 V
8 Ω	8 Ω
N/A	100 W
100 W	50 W
50 W	25 W
25 W	12,5 W

– Table 1 –

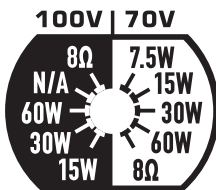


– Figure 2 –

S8T

100 V	70 V
8 Ω	8 Ω
N/A	60 W
60 W	30 W
30 W	15 W
15 W	7,5 W

– Table 2 –



– Figure 3 –

Monte los altavoces

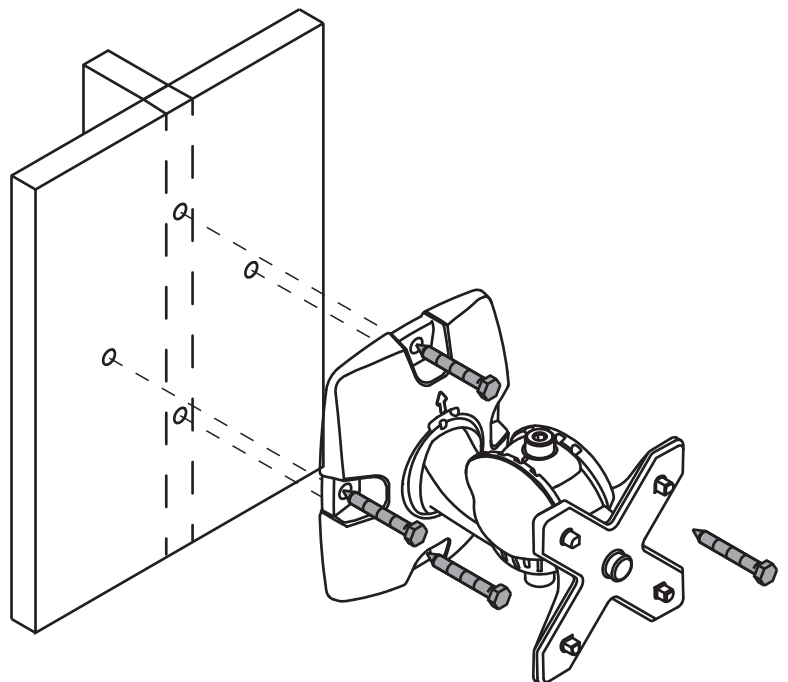
Instale el soporte X-Mount™

Consulte Figure 4.



¡ADVERTENCIA! Instale el sistema de acuerdo con los códigos y reglamentos locales de la construcción. Utilice un contratista que cuente con licencia o un ingeniero profesional. QSC Audio Products no es responsable de los daños derivados de la instalación negligente de un soporte o altavoz.

1. Monte en una superficie que pueda soportar el peso del altavoz.



– Figure 4 –

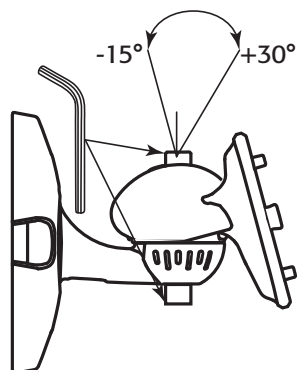
Ajuste el ángulo del soporte X-Mount™

Consulte Figure 5.

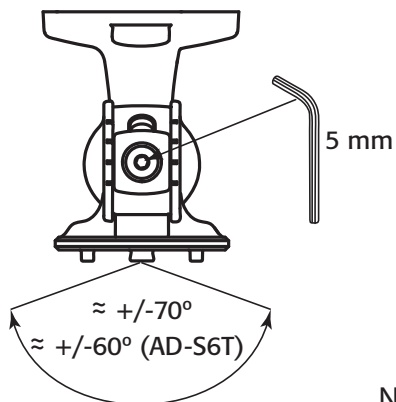


NOTE: Este paso puede realizarse ahora o después de montar el altavoz.

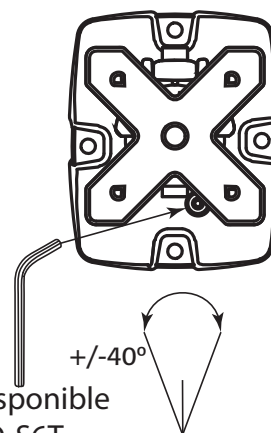
1. Utilice una llave hexagonal de 5 mm para aflojar los tornillos de bloqueo de ajuste.
2. Oriente el soporte según sea necesario.
3. Apriete los tornillos de bloqueo de ajuste.



CARA LATERAL



CARA SUPERIOR



CARA DELANTERA

– Figure 5 –

Monte el altavoz en el soporte

Consulte Figure 6.



NOTA: El altavoz puede colocarse en el montaje en CUALQUIER dirección (hacia arriba, hacia abajo, a la izquierda, a la derecha).

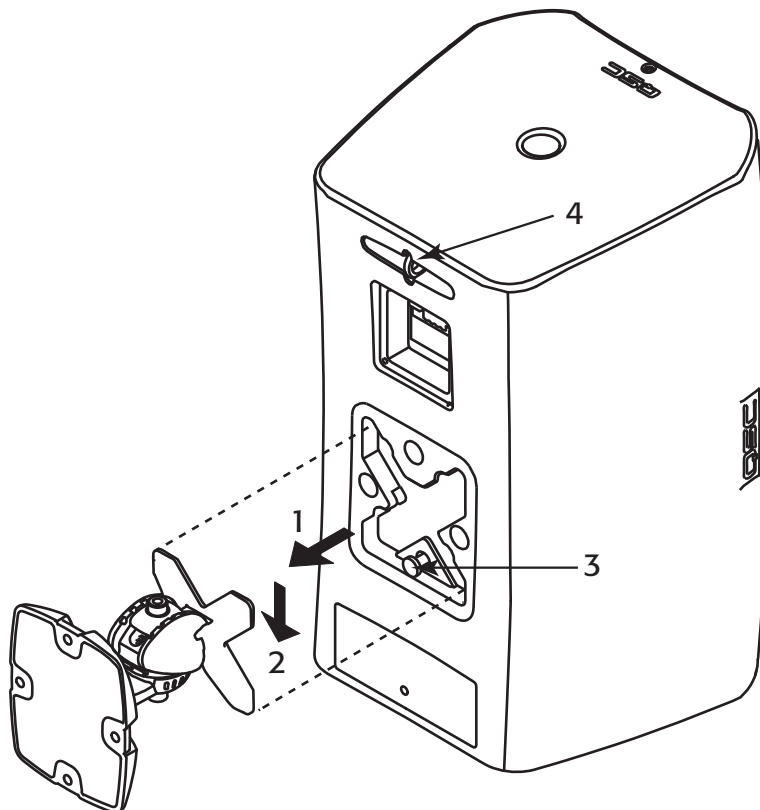
1. Alinee la ranura "X" con el soporte X-Mount™ y empuje el altavoz en el soporte. (1)
2. Una vez asentado, baje el altavoz para fijarlo en el soporte. (2)
3. (Opcional) Retire la lengüeta de seguridad y consérvela (3); extráigala recto hacia fuera. Para retirar el altavoz, vuelva a colocar la lengüeta de seguridad, presione hacia dentro y luego retire el altavoz.

Conecte una brida de seguridad (no suministrada)



AVISO! NO conecte la brida al soporte de montaje ni a los tornillos que sujetan el soporte de montaje.

1. Se recomienda conectar una brida de seguridad desde el anillo de seguridad (4) en la parte posterior del altavoz a un punto en la pared que estructuralmente pueda soportar el peso del altavoz en el caso de que este se caiga.



– Figure 6 –

Cuelgue el altavoz

Consulte Figure 7.



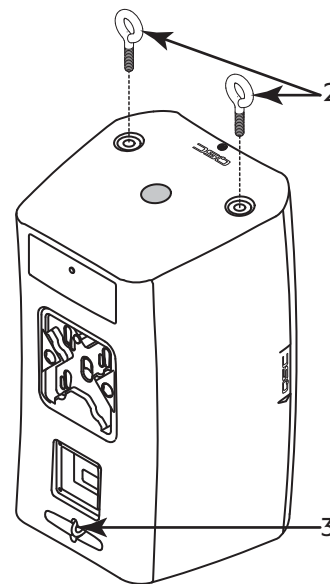
AVISO! Cuelgue el altavoz de acuerdo con los códigos y reglamentos locales de la construcción. Utilice un contratista que cuente con licencia o un ingeniero profesional. QSC Audio Products no es responsable de los daños derivados de la instalación, suspensión o cableado negligentes del altavoz.

Los altavoces AcousticDesign (modelos AD-S8T, AD-S10T y AD-S12) pueden colgarse usando el punto de pretensado y los pernos de anilla M10 que se instalan en la base de las cajas.



NOTA: Colgar la caja del woofer con la cara lateral hacia arriba hace que el HF quede más cerca del oyente, y ayuda a mejorar la respuesta de los bajos cuando se acopla contra los planos del techo y la pared.

1. Retire los dos tapones M10 (no se muestran) de la base de la caja del altavoz.
2. Instale dos (2) pernos de anilla M10-1,5 (kit M10 auxiliar-C) en los puntos de instalación M10 en la base de la caja del altavoz.
3. Conecte un cable adecuado a la anilla de seguridad de la brida (3) para el punto de pretensado.



– Figure 7 –

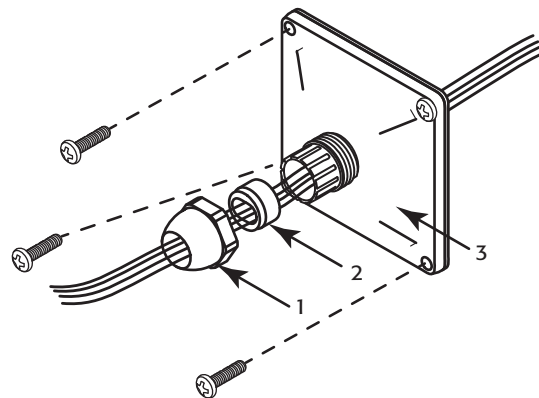
Instale el altavoz con el soporte de horquilla

Además de los métodos de montaje descritos anteriormente, puede instalar el altavoz con el kit de montaje en horquilla opcional. Consulte las instrucciones suministradas con el kit de la horquilla. Consulte las "Especificaciones" en la página 12 para obtener más información.

Instale la cubierta resistente a la intemperie (opcional)

Consulte Figure 8.

1. Deslice la tuerca (1), la junta de compresión (2) y la cubierta resistente a la intemperie/junta (3) sobre el cable del altavoz.
2. Acabe el cable con un conector de estilo europeo, consulte “Conecte los cables del altavoz” en la página 6
3. Instale el conector de estilo europeo.
4. Deslice la cubierta resistente a la intemperie/junta (3) hacia arriba hasta la caja de conexiones, utilice un trozo pequeño de cable, dentro de la cubierta, para proporcionar protección y alivio de tensión.
5. Sujete la cubierta resistente a la intemperie a la caja con cuatro tornillos (suministrados).
6. Deslice la junta de compresión (2) al interior del receptáculo de la cubierta resistente a la intemperie.
7. Deslice la tuerca sobre el receptáculo de la cubierta resistente a la intemperie y apriétela.

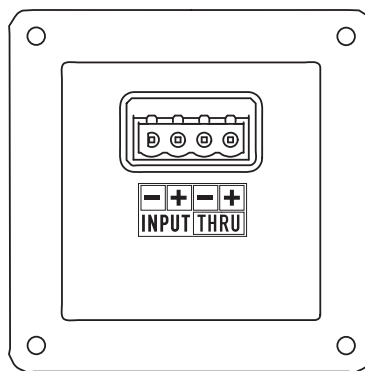
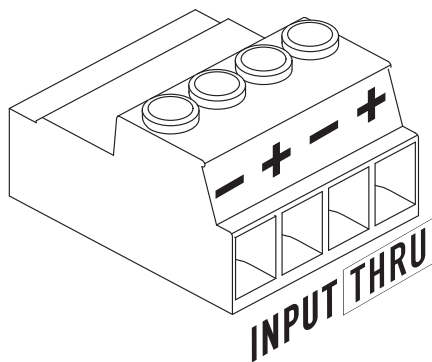


– Figure 8 –

Conecte los cables del altavoz

Utilice cables hasta de calibre 12 según sea pertinente. Consulte Figure 9.

1. Si está usando la cubierta resistente a la intemperie opcional, asegúrese de que los cables se inserten a través de las tres partes de dicha cubierta en el orden correcto.
2. Instale los cables negativo y positivo en las tomas “Input” (entrada) +/-, tal como se muestra. Aprite los tornillos de las abrazaderas de cable.
3. Instale los cables de cadena en margarita en las tomas “Thru” (conexión directa) +/-, tal como se muestra. Estos cables van al siguiente altavoz en la cadena en margarita.

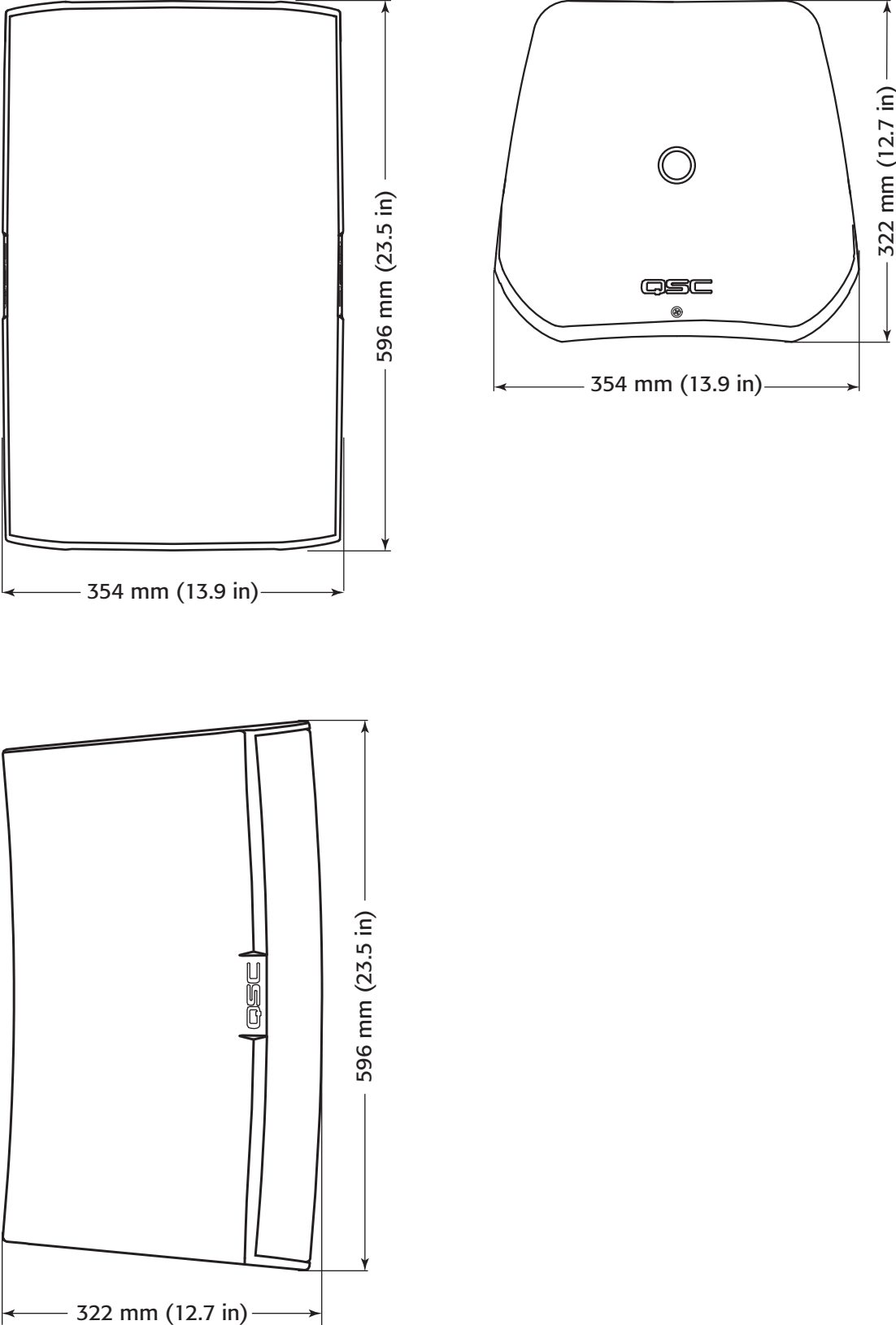


– Figure 9 –

Retire el altavoz

1. Asegúrese de que todos los cables estén desconectados y la brida de seguridad retirada.
2. Si la lengüeta de seguridad, localizada en la base del montaje del altavoz, NO se ha retirado, presione la lengüeta hacia dentro y deslice el altavoz en la dirección opuesta a la que lo instaló.
3. Si la lengüeta de seguridad se ha retirado, vuelva a insertarla o utilice una varilla pequeña (<4 mm/0,16 pulgadas) para presionar hacia dentro y soltar el bloqueo del montaje.

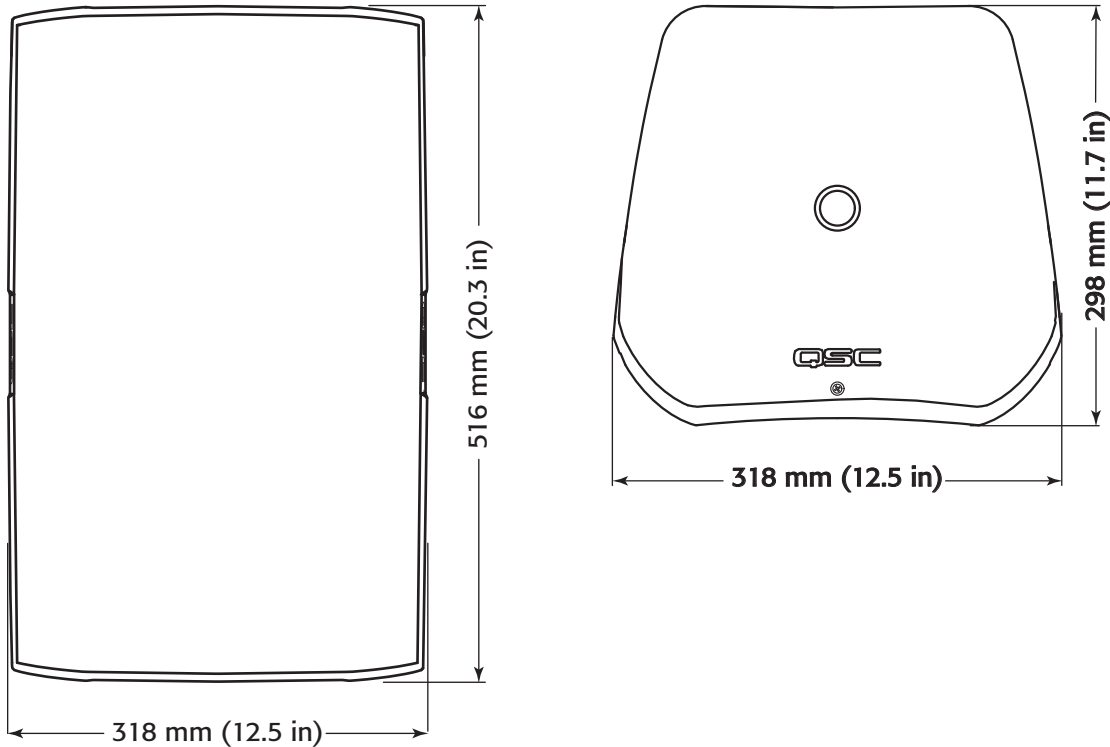
Dimensiones de AD-S12



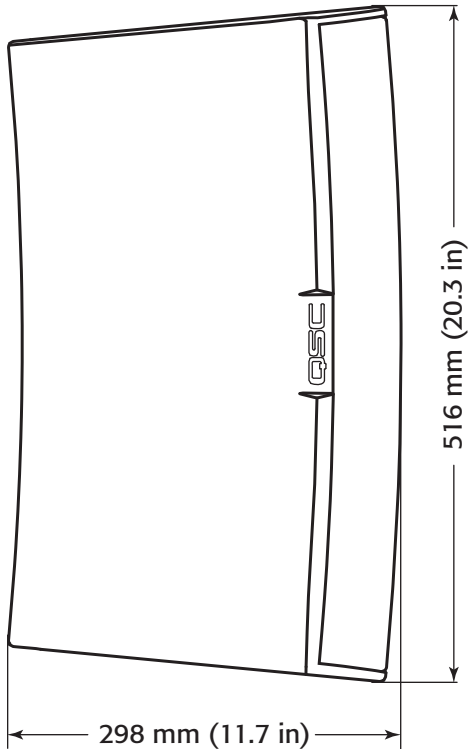
ES

- Figure 10 -

Dimensiones de AD-S10T

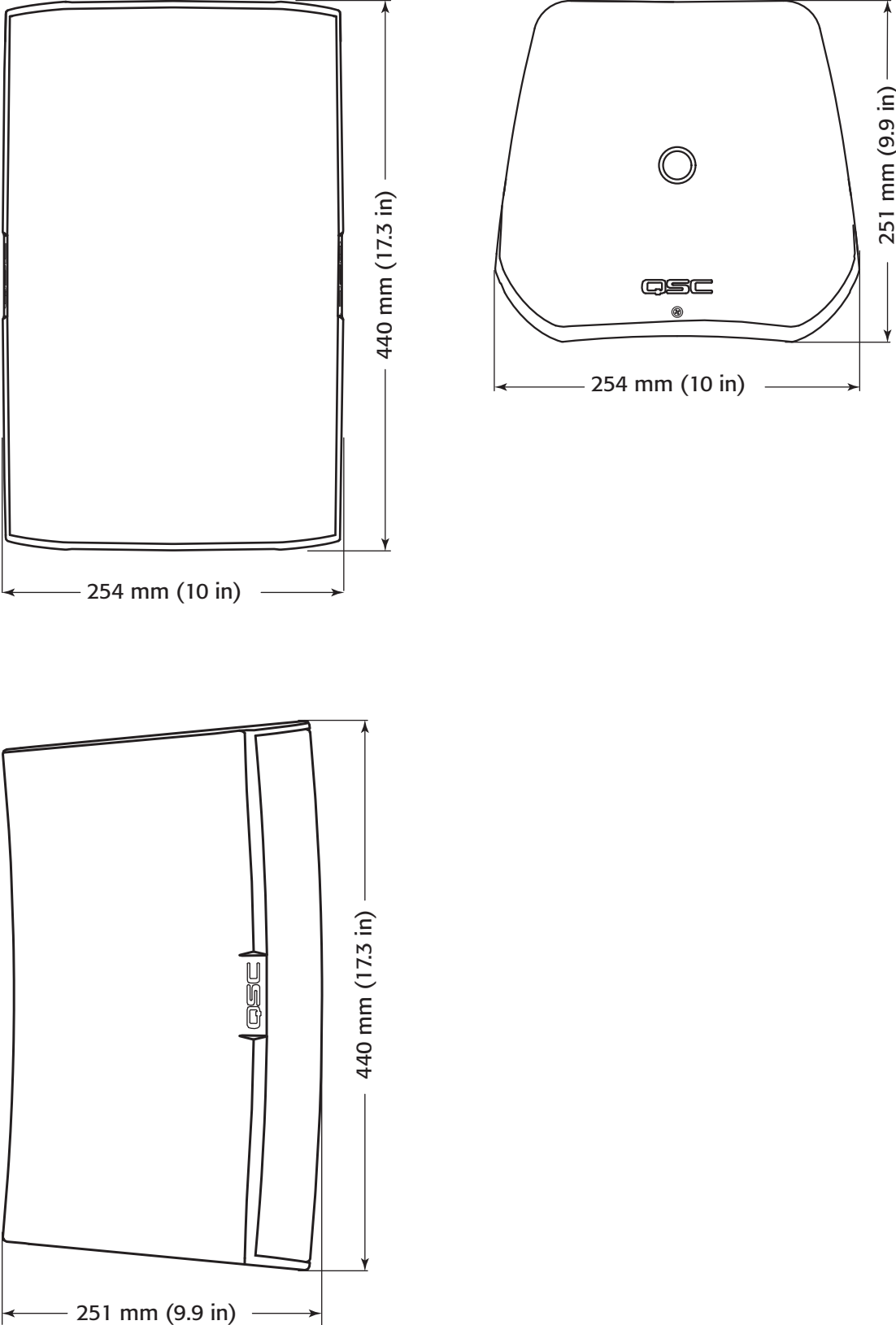


ES



- Figure 11 -

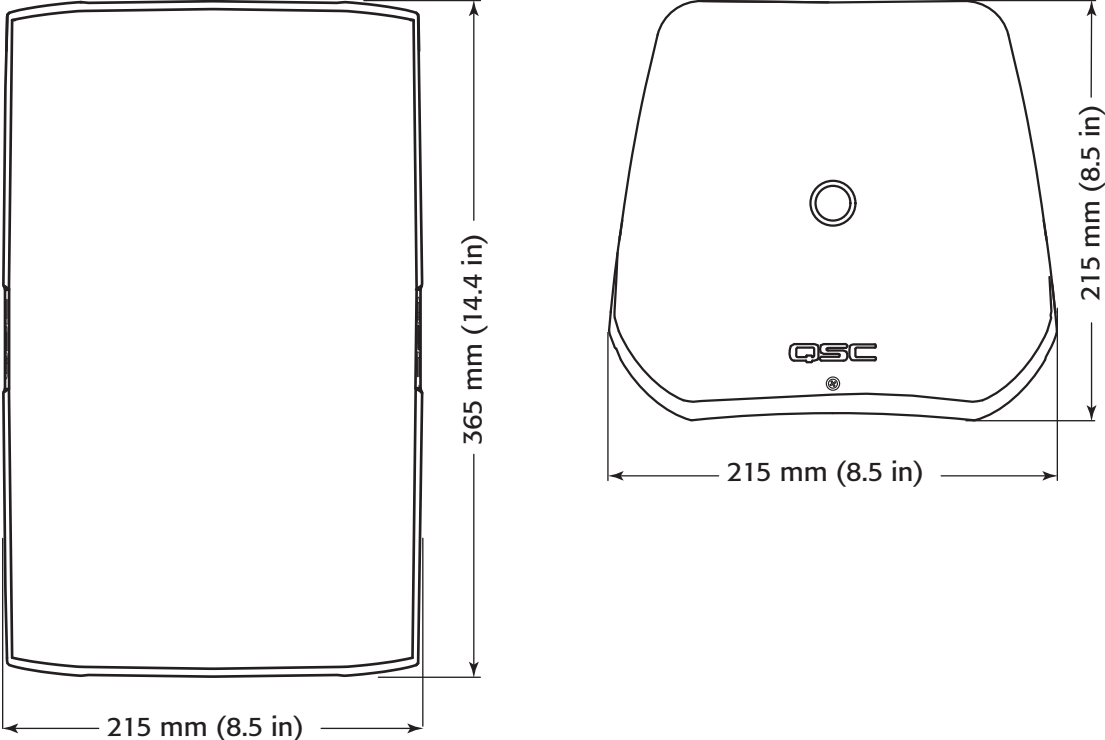
Dimensiones de AD-S8T



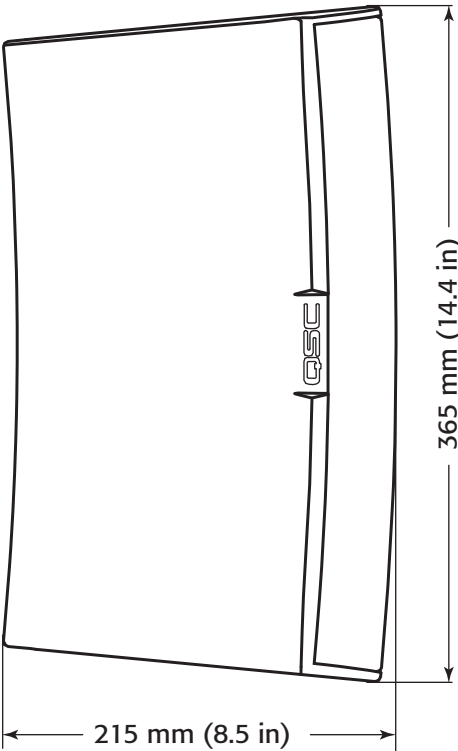
ES

- Figure 12 -

Dimensiones de AD-S6T

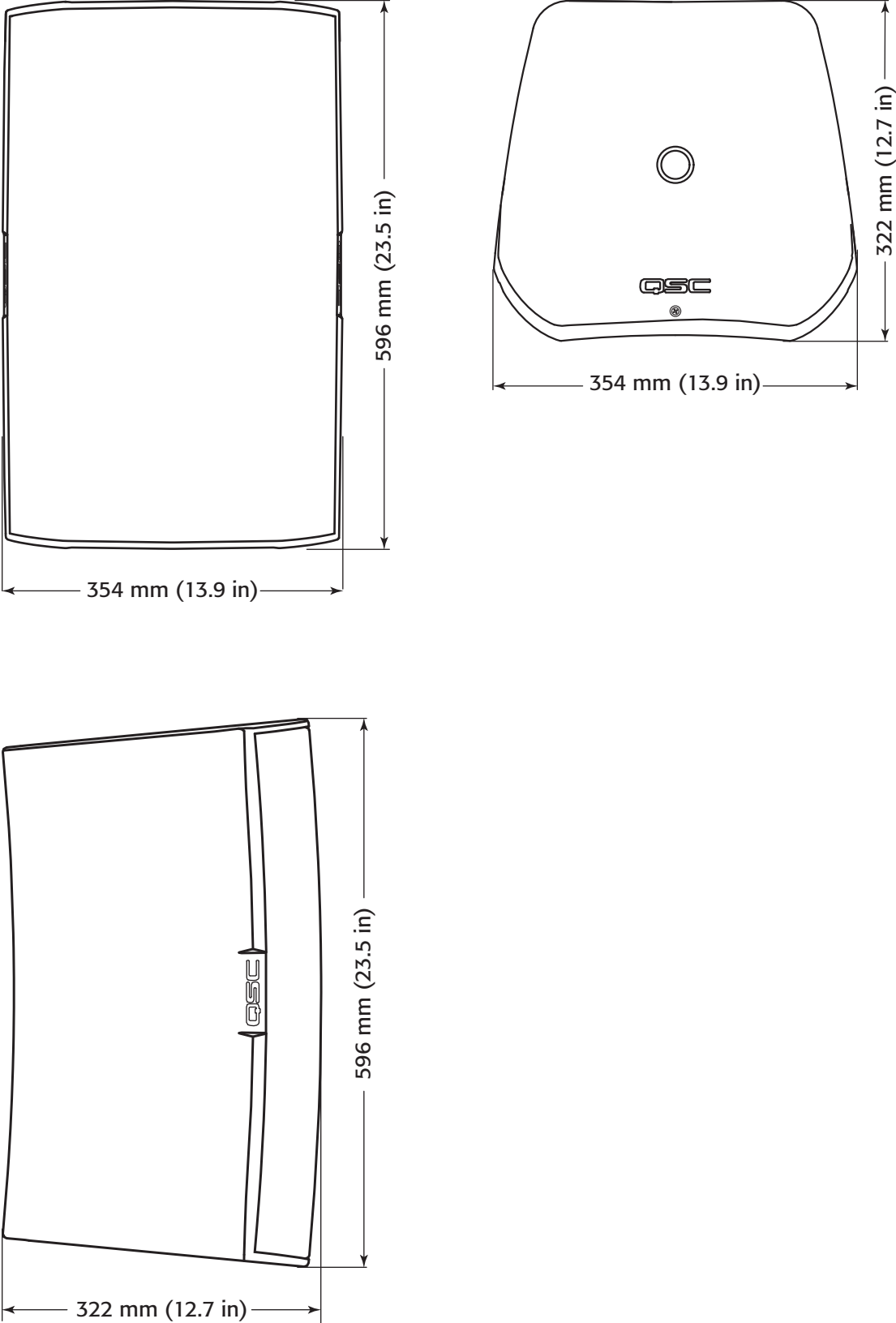


ES



- Figure 13 -

Dimensiones de AD-S112sw



ES

- Figure 14 -

Especificaciones

	AD-S6T	AD-S8T	AD-S10T
Configuración	6" bidireccional con transformador	8" bidireccional con transformador	10" bidireccional con transformador
Intervalo de frecuencias eficaces (-10 dB) ¹	60 – 20 kHz	55 – 20 kHz	50 – 19 kHz
Voltaje / Potencia nominales ²	35 Vrms / 150 W	40 Vrms / 200 W	45 Vrms / 250 W
Sensibilidad de banda ancha ³	89 dB SPL	90 dB SPL	92 dB SPL
Ángulo de cobertura (-6 dB) ⁴	105°	105°	90°
Factor de directividad (Q)	5	7	10
Índice de directividad	7 dB	9 dB	10 dB
SPL máximo continuo (1 m) ⁵	110 dB	113 dB	116 dB
Pico de SPL máximo (1 m) ⁵	116 dB	119 dB	122 dB
Impedancia nominal	8Ω	8Ω	8Ω
Potencia recomendada del amplificador	300 W	400 W	500 W
Derivación del transformador 70 V	60, 30, 15, 7,5 W y 8Ω de derivación	60, 30, 15, 7,5 W y 8Ω de derivación	100, 50, 25, 12,5 W y 8Ω de derivación
Derivación del transformador 100 V	60, 30, 15 W y 8Ω de derivación	60, 30, 15 W y 8Ω de derivación	100, 50, 25 W y 8Ω de derivación
Transductor de alta frecuencia	Altavoz de agudos de 1" con domo de seda / Cargado con cuerno de bobina de voz de 1"	Excitador de compresión de salida de 1" / de bobina de voz de 1,4"	Excitador de compresión de salida de 1" / de bobina de voz de 1,4"
Transductor de baja frecuencia	Woofers con cono de papel, resistente a la intemperie, de 6", bobina de voz de 38 mm / 1,5"	Woofers con cono de papel, resistente a la intemperie, de 8", bobina de voz de 50 mm / 2"	Woofers con cono de papel, resistente a la intemperie, de 10", bobina de voz de 64 mm / 2,5"
Conector de entrada	Conector estilo europeo con salida paralela		
Detalles de la caja			
Material	Polímero de ABS		
Acabado	Pintura negra RAL 9011 o blanca RAL 9010		
Rejilla	Aluminio recubierto con polvo		
Material del montaje en X	Aluminio recubierto con polvo		
Protección contra el ingreso	Cumple la normativa IP-54 de resistencia al polvo y las salpicaduras.		
Entorno operativo	Diseñado para uso en interiores y exteriores		
Intervalo de temperaturas operativas	-20 a 50 °C / -4 a 122 °F		
Pruebas: Calificado para uso al aire libre empleando las pruebas siguientes:	Niebla salina: MIL-STD-810G, método 509.5, durante 100 horas Humedad: MIL-STD-810G método 507.5, ciclo natural B2, HR alta cíclica durante 7 días Temperatura alta y baja: comprobada de acuerdo con normas internas de QSC entre -20° y 50° C		
Peso (neto)	6,2 kg / 13,6 lbs	11 kg / 24 lb	14 kg / 31 lbs
Dimensiones (Al, An, Pr)	365 mm x 215 mm x 215 mm 14,4" x 8,5" x 8,5"	440 mm x 254 mm x 251 mm 17,3" x 10,0" x 9,8"	516 mm x 318 mm x 298 mm 20,3" x 12,5" x 11,7"
Accesorios incluidos	Sistema X-Mount™, conector estilo europeo, cubierta del panel de entrada	Sistema X-Mount™, conector estilo europeo	Sistema X-Mount™, conector estilo europeo
Accesorios opcionales	N/A	Kit de soporte de montaje tipo horquilla – YMS8T-WHT / YMS8T-BLK Kit M10-C	Kit de soporte de montaje tipo horquilla – YMS10T-WHT / YMS10T-BLK Kit M10-C

¹ Campo libre, -10 dB desde la sensibilidad en el eje

² IEC60268-1 señal de ruido durante 2 horas

³ Sensibilidad en campo libre, en el eje, 2,83 V, 1 m

⁴ Ángulo de cobertura medido con ancho de banda de 3 - 10 kHz

⁵ Calculado a partir del voltaje y la sensibilidad nominales del ruido

Especificaciones

	AD-S12	AD-S112sw
Configuración	12" bidireccional	Subwoofer 12" de irradiación directa
Intervalo de frecuencias eficaces (-10 dB) ¹	52 – 20 kHz	30 – 135 Hz
Voltaje / Potencia nominales ²	50 Vrms / 300 W	50 Vrms / 300 W
Sensibilidad de banda ancha ³	95 dB SPL	90 dB SPL
Ángulo de cobertura (-6 dB) ⁴	75°	Kit M10-C
Factor de directividad (Q)	12	N/A
Índice de directividad	11 dB	N/A
SPL máximo continuo (1 m) ⁵	120 dB	115 dB
Píco de SPL máximo (1 m) ⁵	126 dB	121 dB
Impedancia nominal	8Ω	8 Ω
Potencia recomendada del amplificador	600 W	600 W
Derivación del transformador 70 V	N/A	N/A
Derivación del transformador 100 V	N/A	N/A
Transductor de alta frecuencia	Excitador de compresión de salida de 1" / de bobina de voz de 1,4"	N/A
Transductor de baja frecuencia	Woofers con cono de papel, resistente a la intemperie, de 12", bobina de voz de 64 mm / 2.5"	Woofers con cono de papel, resistente a la intemperie, de 12", bobina de voz de 64 mm / 2.5"
Conector de entrada	Conector estilo europeo con salida paralela	
Detalles de la caja		
Material	Polímero de ABS	
Acabado	Pintura negra RAL 9011 o blanca RAL 9010	Pintura negra RAL 9011
Rejilla	Aluminio recubierto con polvo	
Material del yugo	Acero galvanizado recubierto con polvo	
Protección contra el ingreso	Cumple la normativa IP-54 de resistencia al polvo y las salpicaduras.	
Entorno operativo	Diseñado para uso en interiores y exteriores	
Intervalo de temperaturas operativas	-20 a 50 °C / -4 a 122 °F	
Pruebas: Calificado para uso al aire libre empleando las pruebas siguientes:	Niebla salina: MIL-STD-810G, método 509.5, durante 100 horas Humedad: MIL-STD-810G método 507.5, ciclo natural B2, HR alta cíclica durante 7 días Temperatura alta y baja: comprobada de acuerdo con normas internas de QSC entre -20° y 50° C	
Peso (neto)	16 kg / 35,0 lbs	13,2 kg / 29 lbs
Dimensiones (Al, An, Pr)	596 mm x 354 mm x 323 mm 23,5" x 13,9" x 12,7"	596 mm x 354 mm x 322 mm 23,5" x 13,9" x 12,7"
Accesorios incluidos	Sistema X-Mount™, conector estilo europeo	Soporte de horquilla (blanco o negro), conector de estilo europeo
Accesorios opcionales	Kit de soporte de montaje tipo horquilla – YMS12-WHT / YMS12-BLK Kit M10-C	Kit M10-C

¹ Campo libre, -10 dB desde la sensibilidad en el eje

² IEC60268-1 señal de ruido durante 2 horas

³ Sensibilidad en campo libre, en el eje, 2,83 V, 1 m

⁴ Ángulo de cobertura medido con ancho de banda de 3 - 10 kHz

⁵ Calculado a partir del voltaje y la sensibilidad nominales del ruido



Dirección postal:

QSC Audio Products, LLC

1675 MacArthur Boulevard

Costa Mesa, CA 92626-1468 EE.UU.

Números de teléfono:

Número principal: (714) 754-6175

Ventas y Comercialización: (714) 957-7100 o línea gratuita (solo EE.UU.) (800) 854-4079

Servicio al cliente: (714) 957-7150 o línea gratuita (solo en EE.UU.) (800) 772-2834

Números de fax:

Ventas y Comercialización FAX: (714) 754-6174

Servicio al cliente FAX: (714) 754-6173

World Wide Web:

www.qsc.com

Dirección electrónica:

info@qsc.com

service@qsc.com

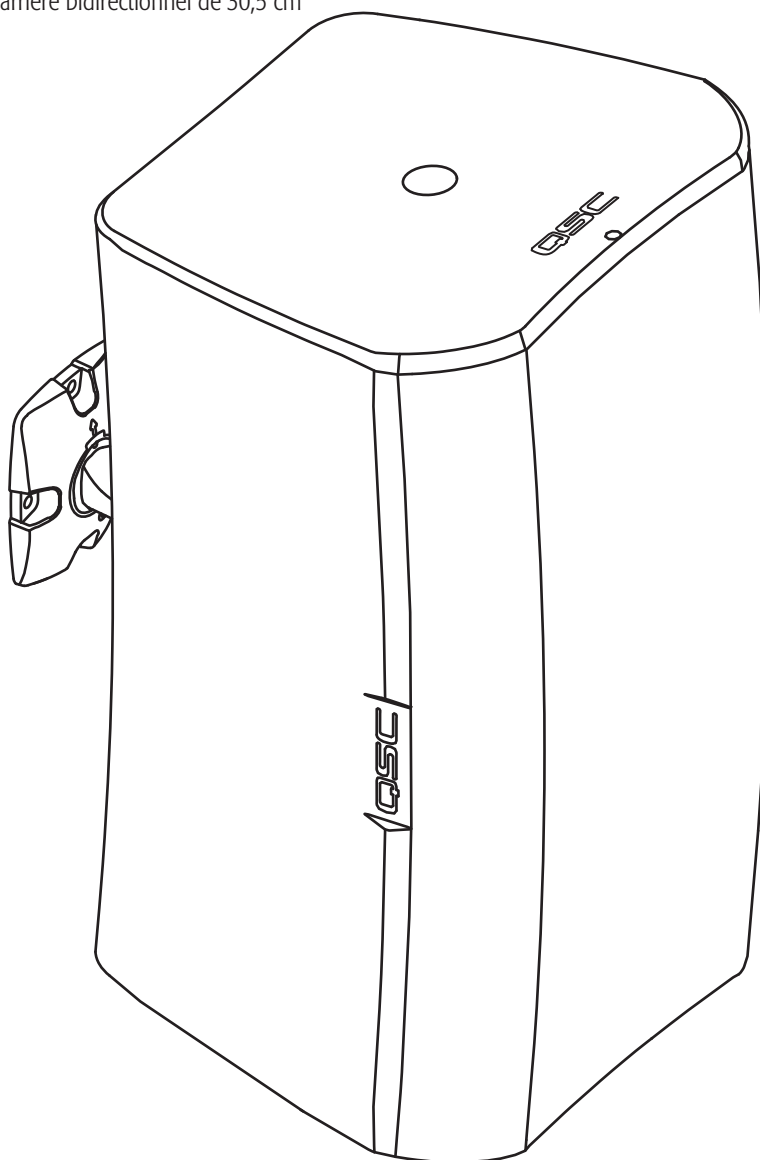
Guide de l'utilisateur

AD-S6T – Haut-parleur frontal/arrière bidirectionnel de 15,2 cm avec transformateur 70/100 V

AD-S8T – Haut-parleur frontal/arrière bidirectionnel de 20,3 cm avec transformateur 70/100 V

AD-S10T – Haut-parleur frontal/arrière bidirectionnel de 25,4 cm avec transformateur 70/100 V

AD-S12 – Haut-parleur frontal/arrière bidirectionnel de 30,5 cm



EXPLICATION DES SYMBOLES

La mention « **AVERTISSEMENT !** » indique des instructions concernant la sécurité personnelle. Risque de blessures ou de mort si les instructions ne sont pas suivies.

La mention « **ATTENTION !** » indique des instructions concernant des dégâts possibles pour le matériel. Risque de dégâts matériels non couverts par la garantie si ces instructions ne sont pas suivies.

La mention « **IMPORTANT !** » indique des instructions ou des informations vitales à l'exécution de la procédure.

La mention « **REMARQUE** » indique des informations utiles supplémentaires.



NOTE: L'éclair fléché situé dans un triangle a pour objet de signaler à l'utilisateur la présence d'une tension « dangereuse » non isolée dans le boîtier du produit suffisante pour présenter un risque d'électrocution pour l'homme.



Le point d'exclamation dans un triangle équilatéral a pour objet de signaler à l'utilisateur la présence de consignes de sécurité et d'instructions importantes d'utilisation et de maintenance dans ce manuel.



CONSIGNES DE SÉCURITÉ IMPORTANTES



WARNING! POUR ÉCARTER LES RISQUES D'INCENDIE ET D'ÉLECTROCUTION, NE PAS EXPOSER CE MATÉRIEL À LA PLUIE OU L'HUMIDITÉ.



WARNING! Bien qu'une personne puisse soulever un haut-parleur, il est important d'utiliser des techniques de levage correctes. Lecture suggérée : Manuel technique de l'OSHA sur les troubles et les blessures du dos (http://www.osha.gov/dts/osta/otm/otm_vii/otm_vii_1.html#app_vii:1_2).

- Conserver ces instructions.
- Respecter tous les avertissements.
- Suivre toutes les instructions.
- Nettoyer uniquement avec un chiffon sec.
- N'installer à proximité d'aucune source de chaleur comme des radiateurs, des registres de chaleur, des poêles ou d'autres appareils (y compris des amplis) qui dégagent de la chaleur.
- Utiliser uniquement les accessoires spécifiés par le fabricant.
- Confier toutes les réparations à un personnel qualifié.
- Respecter tous les codes locaux applicables.
- Consulter un technicien professionnel diplômé en cas de doute ou de question concernant l'installation physique de l'équipement.

Introduction

La série AcousticDesign est une gamme de haut-parleurs de premier choix à montage en surface destinés à une installation permanente. Se présentant dans des enceintes robustes en ABS moulé, chaque haut-parleur (à l'exception du AD-S12) a un transformateur 70/100 V pour une utilisation avec des lignes audio distribuées. Le support X-Mount™ et le connecteur de style européen uniques fournis avec chaque haut-parleur AcousticDesign sont conçus pour une flexibilité maximale et une installation rapide. Grâce au support à boule moleté et aux marques d'angle de déploiement discrètes, les installateurs peuvent définir les angles de déploiement rapidement et en toute sécurité. Le connecteur de style européen permet le câblage préalable du système et lorsqu'il est combiné avec le déploiement par enclenchement rapide du haut-parleur sur le support, l'installation s'effectue en une fraction du temps requis par rapport aux modèles concurrents.

Déballage

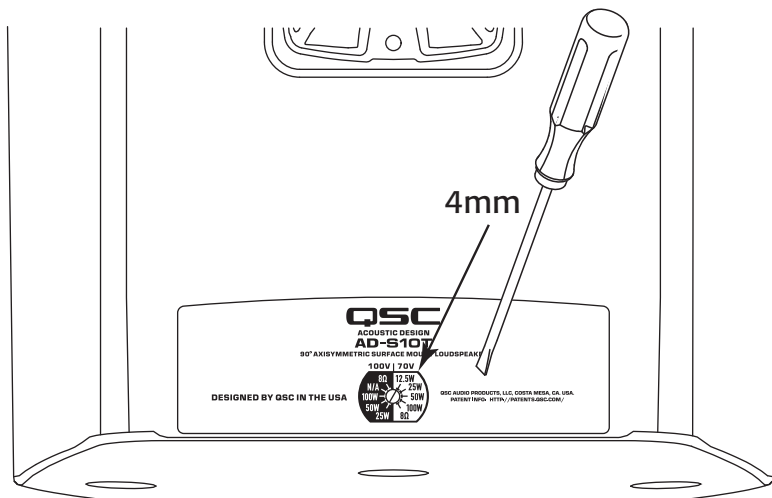
Contenu du paquet

1. Guide de mise en route rapide
2. Haut-parleur AcousticDesign
3. Connecteur de style européen, 4 broches
4. Couvercle de protection des bornes contre les intempéries
5. Vis cruciformes (4) M4 (couvercle de protection des bornes contre les intempéries)
6. Support X-Mount™

Réglage du sélecteur de prise du transformateur

Voir Figure 1.

1. Insérer un tournevis à lame plate de 4 mm dans le trou de prise du transformateur et l'enclencher dans la fente.
2. En position maximale dans le sens des aiguilles d'une montre, le transformateur est en dérivation 8 Ω.

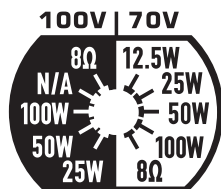


– Figure 1 –

AD-S10T

100 V	70 V
8 Ω	8 Ω
Sans objet	100 W
100 W	50 W
50 W	25 W
25 W	12,5 W

– Table 1 –

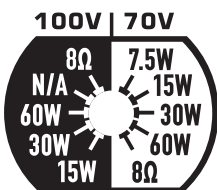


– Figure 2 –

AD-S8T

100 V	70 V
8 Ω	8 Ω
Sans objet	60 W
60 W	30 W
30 W	15 W
15 W	7,5 W

– Table 2 –



– Figure 3 –

Montage des haut-parleurs

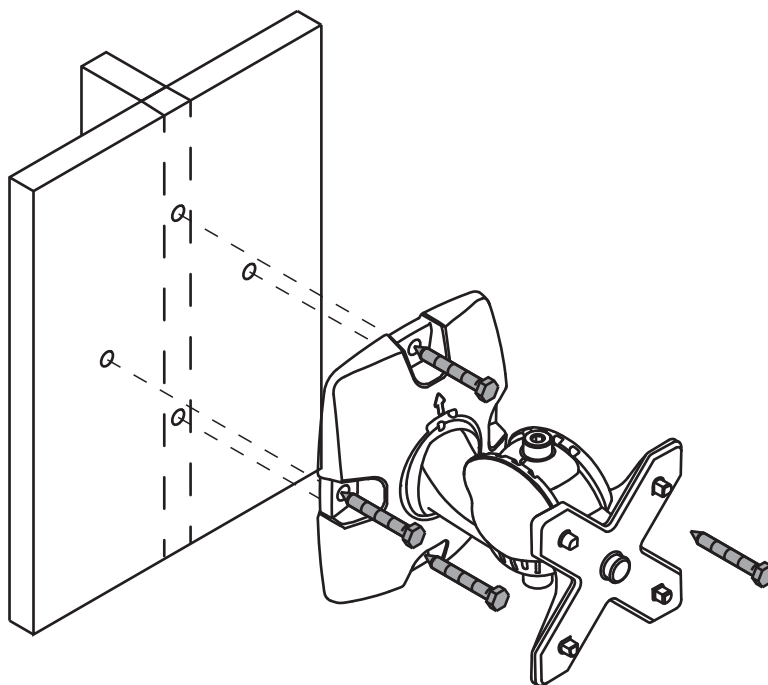
Installation du support X-Mount™

Voir Figure 4.



WARNING!: Installer le système conformément aux codes du bâtiment et réglementations locaux. Faire appel à un installateur professionnel. QSC Audio Products n'est pas responsable des dommages résultant d'une négligence lors de l'installation de tout support ou haut-parleur.

1. Monter sur une surface capable de soutenir le poids du haut-parleur.



– Figure 4 –

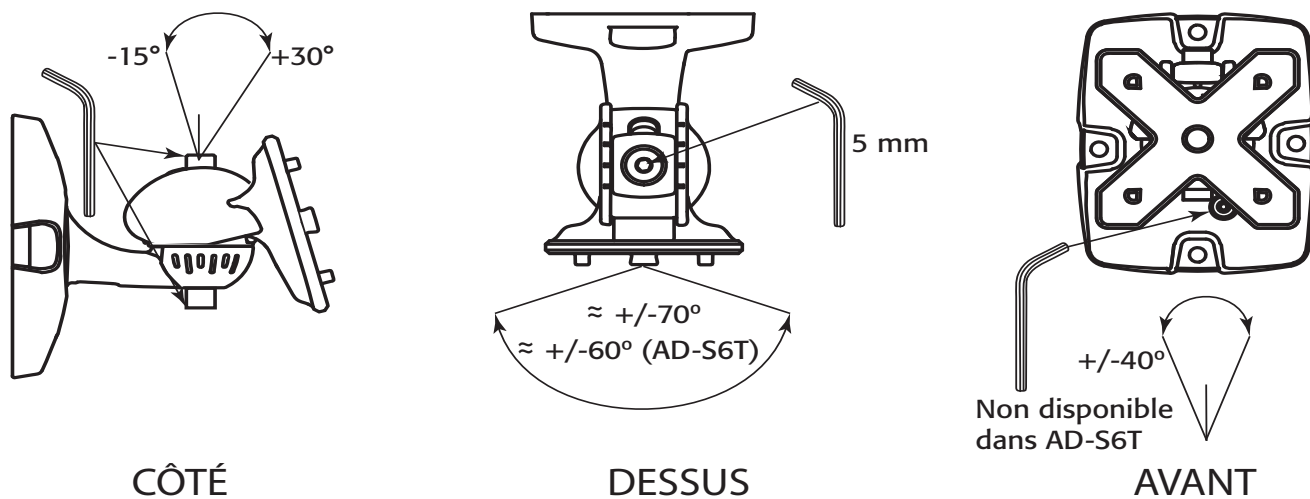
Ajustement de l'angle du support X-Mount™

Voir Figure 5.



NOTE: Cette étape peut être effectuée dès maintenant ou après le montage du haut-parleur.

1. Utiliser une clé Allen de 5 mm pour desserrer les vis de réglage.
2. Orienter le support comme nécessaire.



– Figure 5 –

3. Resserer les vis.

Montage du haut-parleur sur le support

Voir Figure 6.



NOTE: Le haut-parleur peut être placé sur le support dans TOUTE direction (haut, bas, gauche, droite).

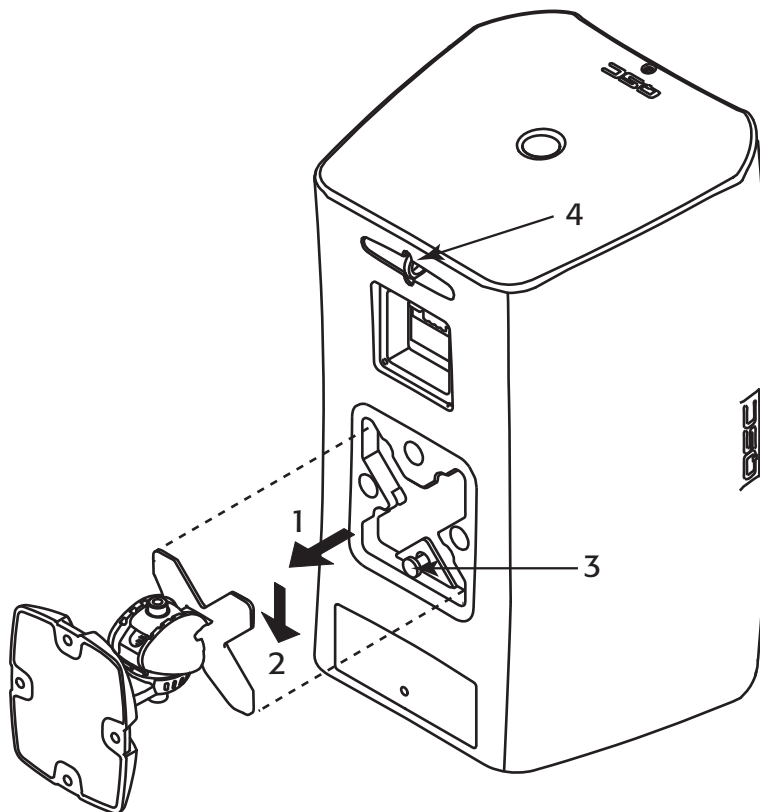
1. Aligner la fente en X sur le support X-Mount™ et pousser le haut-parleur sur le support. (1)
2. Une fois qu'il est calé, abaisser le haut-parleur pour le bloquer sur le support. (2)
3. (Facultatif) Enlever et conserver l'onglet de sécurité (3) ; tirer droit. Pour enlever le haut-parleur, réinstaller l'onglet de sécurité, enfoncer, puis retirer le haut-parleur.

Fixation d'un cordon de sécurité (non fourni)



WARNING! NE PAS connecter le cordon au support de montage ni aux vis qui le fixent.

1. Il est recommandé d'attacher un cordon de sécurité de l'anneau de sécurité (4) à l'arrière du haut-parleur en un point du mur qui est structurellement suffisant pour supporter le poids du haut-parleur en cas de chute de celui-ci.



– Figure 6 –

Suspension du haut-parleur

Voir Figure 7.



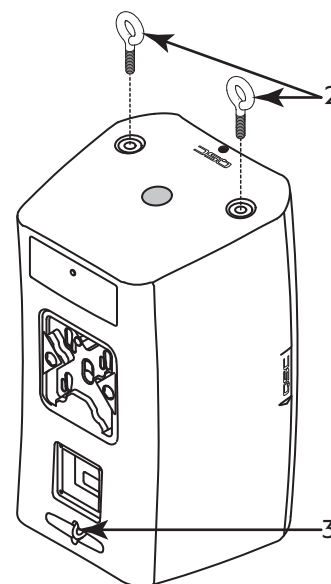
WARNING! Suspender le haut-parleur conformément aux codes du bâtiment et réglementations locaux. Faire appel à un installateur professionnel. QSC Audio Products décline toute responsabilité en cas de dommages relevant d'une négligence lors de l'installation du haut-parleur ou du câble de sécurité.

Les haut-parleurs AcousticDesign (modèles AD-S8T, AD-S10T et AD-S12) peuvent être suspendus en utilisant le point de rétraction et les boulons à ceil M10 installés en bas des enceintes.



NOTE: La suspension du haut-parleur de graves à l'horizontale positionne la HF plus près de celui qui écoute et améliore la réponse aux graves en cas de fixation contre le plan du plafond et du mur.

1. Enlever les 2 obturateurs M10 (non illustrés) du dessous de l'enceinte.
2. Installer deux boulons à ceil M10 -1,5 (2) (accessoire M10 Kit-C) aux points d'installation M10 sous l'enceinte.
3. Attacher un câble approprié à l'anneau de sécurité (3) pour le point de rétraction.



– Figure 7 –

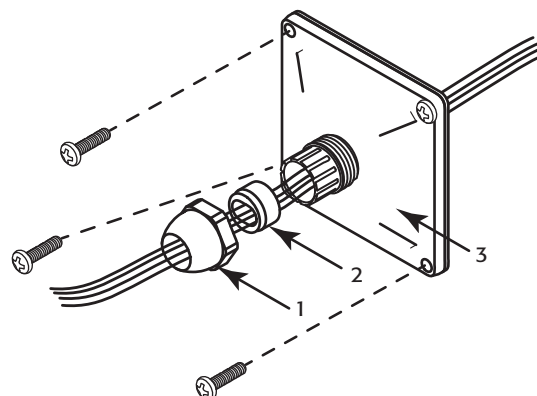
Montage du haut-parleur sur support à berceau

Outre les méthodes de montage décrites plus haut, le haut-parleur peut être monté à l'aide du kit de montage sur support à berceau en option. Voir les instructions fournies dans le kit. Pour des informations, voir « Caractéristiques techniques » à la page 12.

Installation du couvercle de protection contre les intempéries (facultatif)

Voir Figure 8.

1. Glisser l'écrou (1), le joint de compression (2) et le couvercle/joint anti-intempéries (3) sur le câblage du haut-parleur.
2. Terminer le câblage à l'aide du connecteur de style européen ; voir « Câblage du haut-parleur » à la page 6.
3. Installer le connecteur de style européen.
4. Glisser le couvercle/joint anti-intempéries (3) jusqu'à côté du boîtier des branchements et utiliser une petite longueur de câble, sous le couvercle, pour fournir une bride anti-tension.
5. Attacher le couvercle à l'enceinte avec quatre vis (fournies).
6. Glisser le joint de compression (2) sous le couvercle.
7. Glisser l'écrou sur le couvercle et serrer.

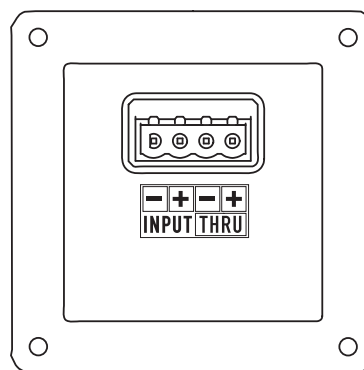
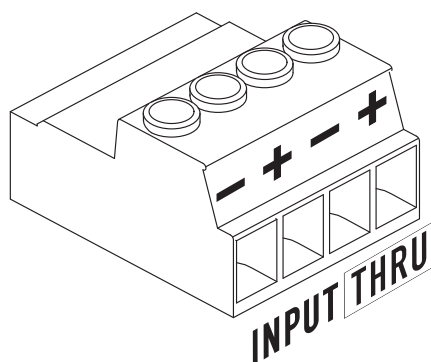


– Figure 8 –

Câblage du haut-parleur

Utiliser un câble calibre 12, comme il convient. Voir Figure 9.

1. Si le couvercle de protection contre les intempéries est utilisé, s'assurer que le câblage est inséré à travers ses trois parties et dans l'ordre préconisé.
2. Installer les fils négatif et positif sur les pôles +/- INPUT. Serrer les vis serre-fils.
3. Insérer les fils de branchement en guirlande dans les pôles +/- THRU, comme illustré. Ces fils vont au haut-parleur suivant qui est branché en guirlande.

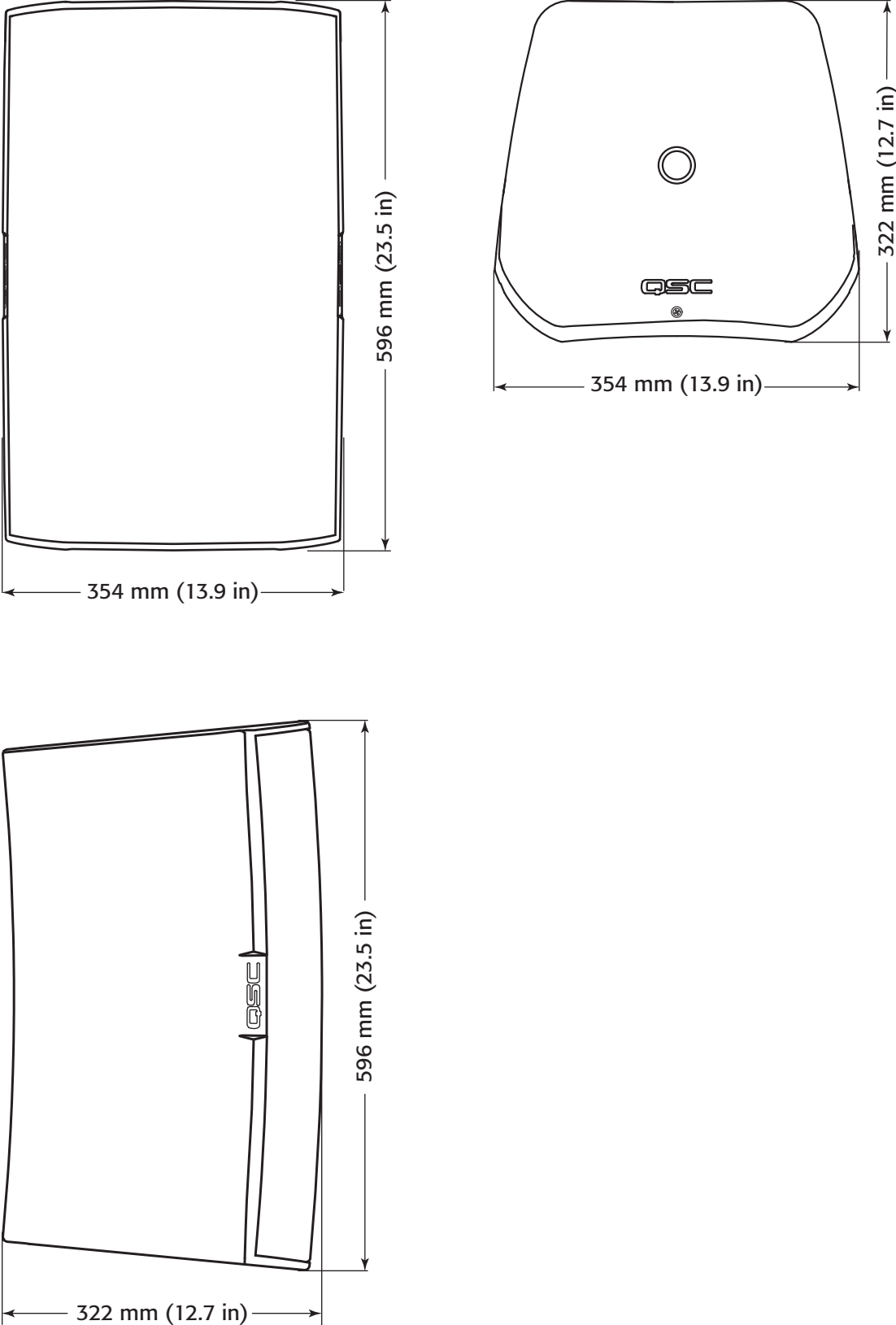


– Figure 9 –

Retrait du haut-parleur

1. S'assurer que tout le câblage est déconnecté et le cordon de sécurité enlevé.
2. Si l'onglet de sécurité n'a PAS été enlevé en bas du support du haut-parleur, appuyer sur l'onglet et glisser le haut-parleur dans la direction opposée de l'installation.
3. Si l'onglet de sécurité a été enlevé, le réinsérer ou utiliser une petite tige (<4 mm) pour pousser et libérer le verrou du support.

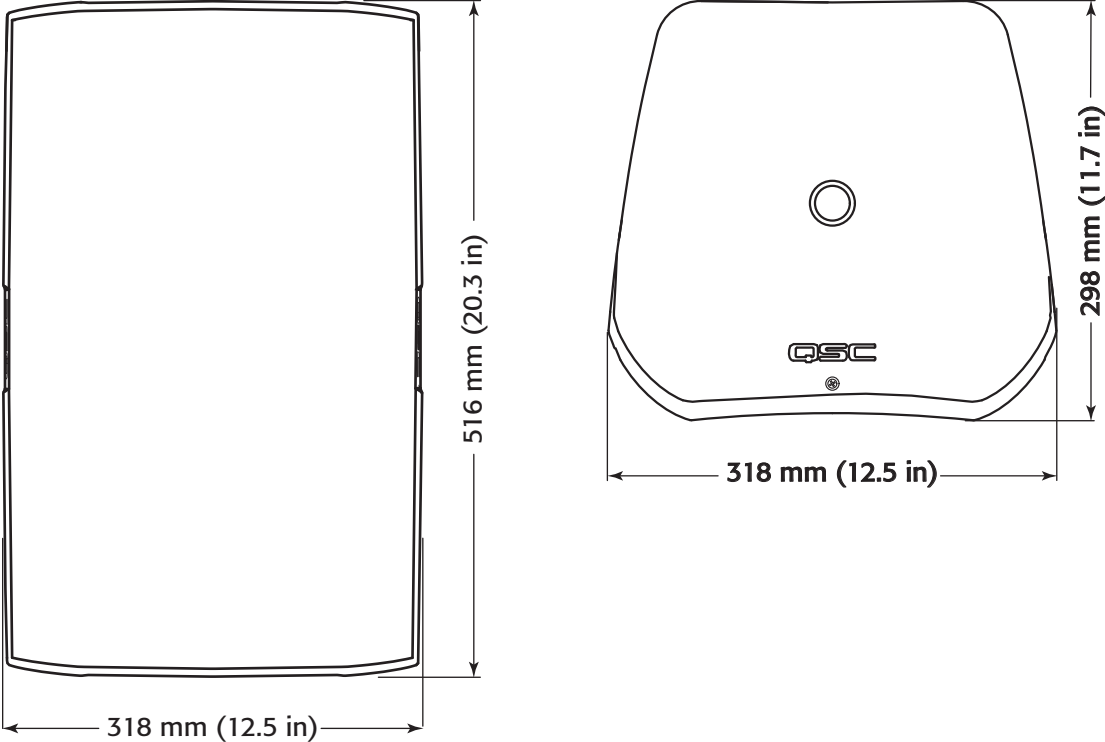
Dimensions du AD-S12



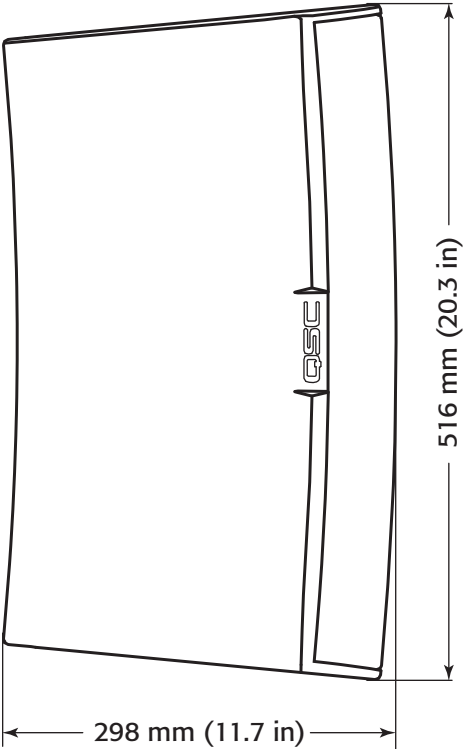
FR

- Figure 10 -

Dimensions du AD-S10T

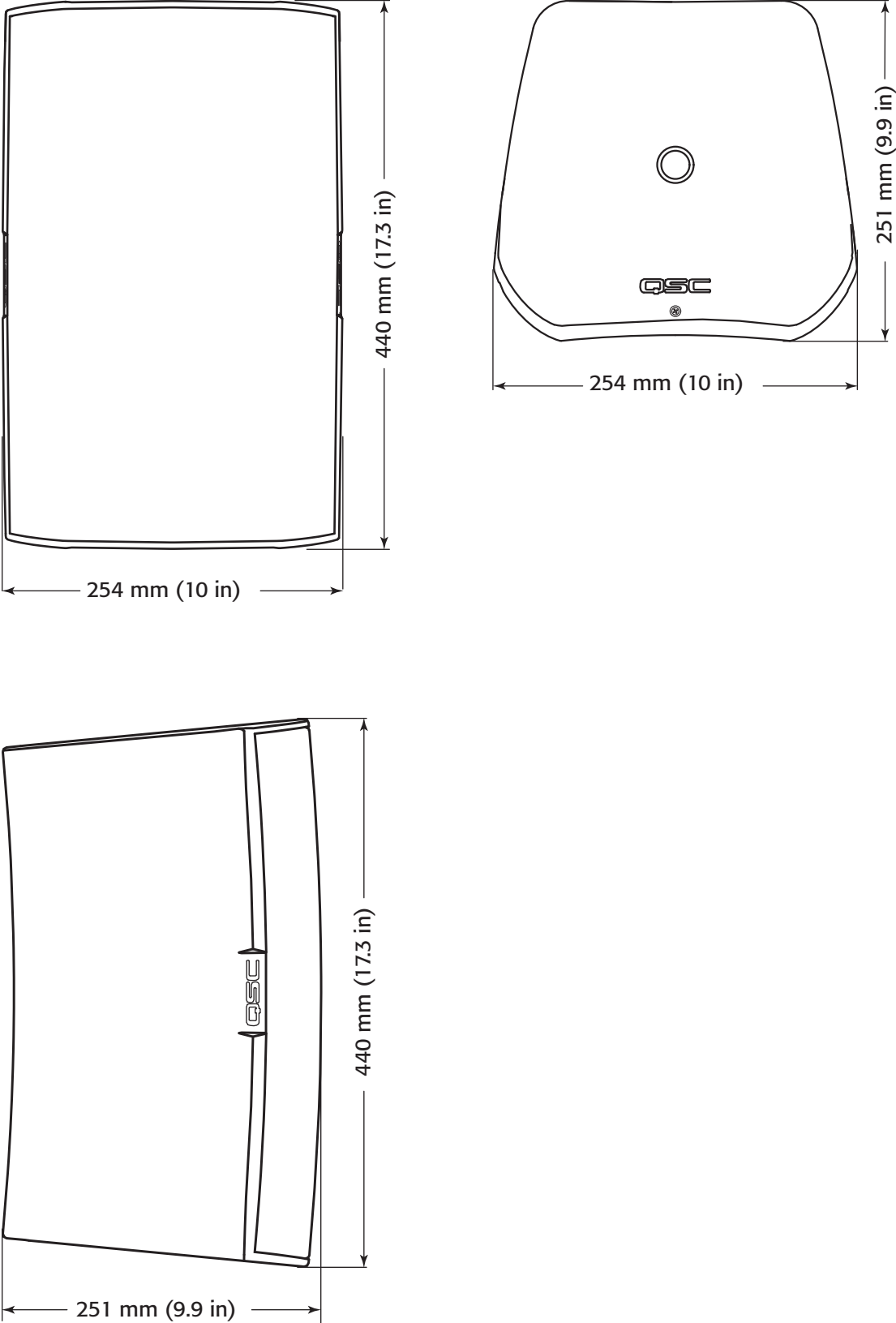


FR



- Figure 11 -

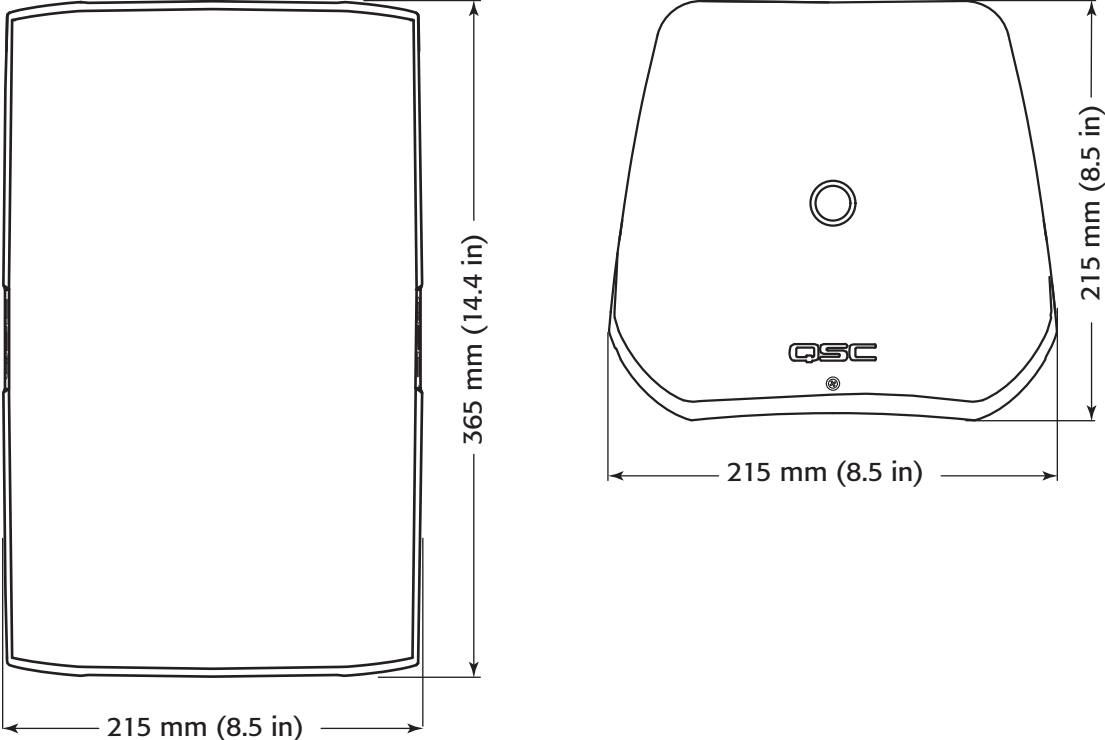
Dimensions du AD-S8T



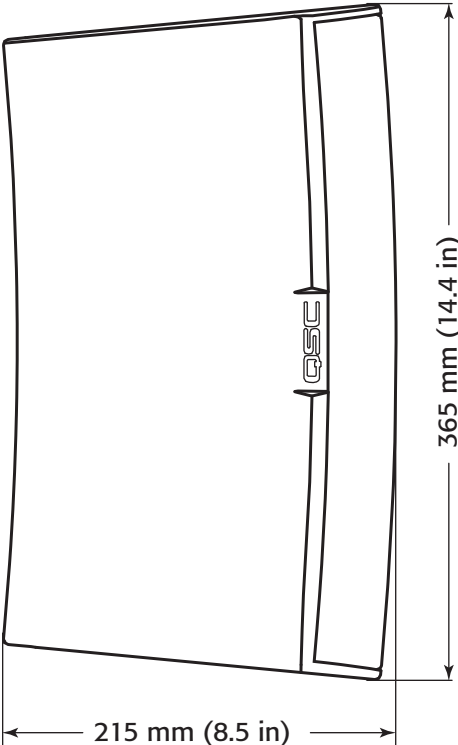
FR

- Figure 12 -

Dimensions du AD-S6T

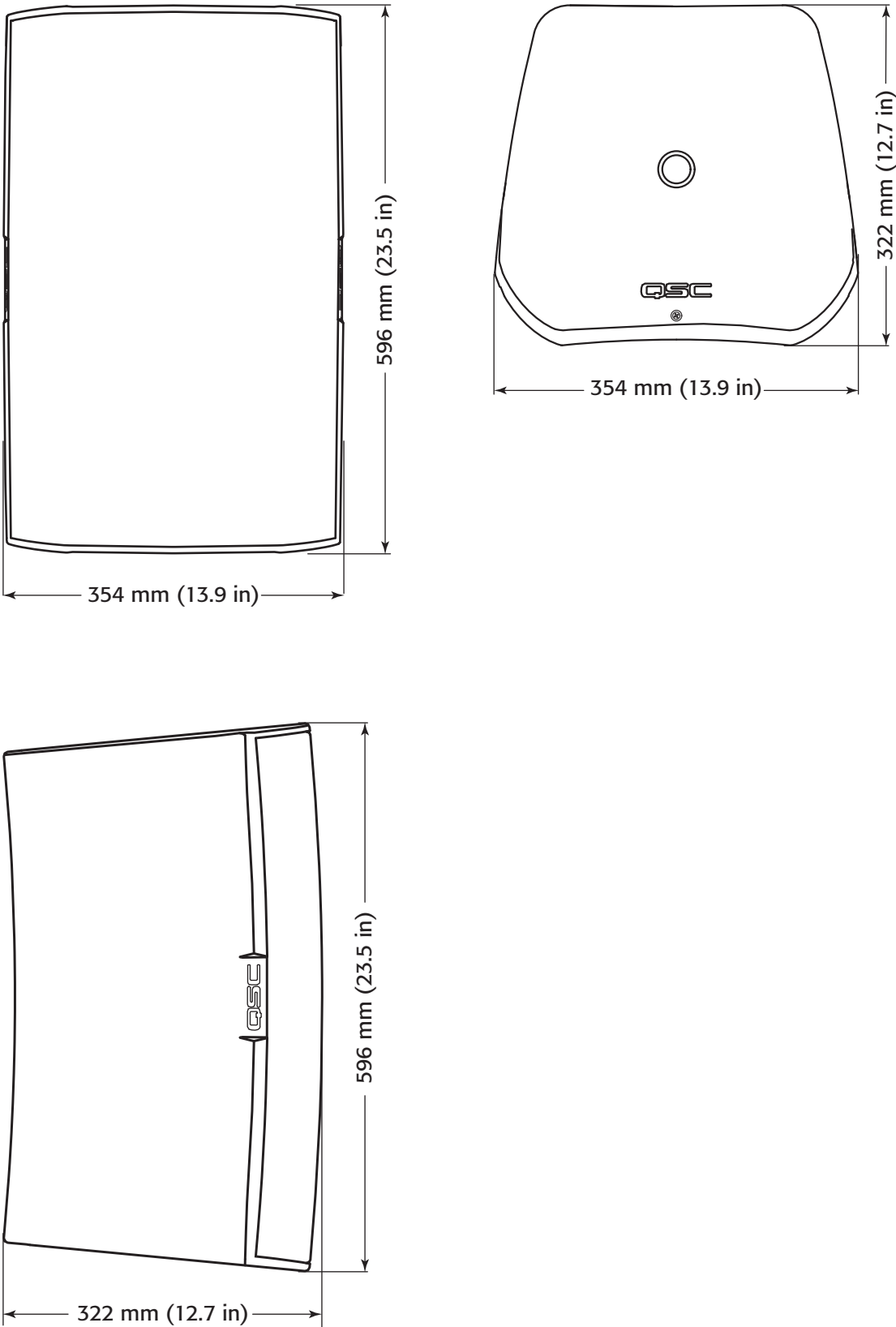


FR



- Figure 13 -

Dimensions du AD-S112sw



FR

– Figure 14 –

Caractéristiques techniques

	AD-S6T	AD-S8T	AD-S10T
Configuration	Bidirectionnel 15,2 cm avec transformateur	Bidirectionnel 20,3 cm avec transformateur	Bidirectionnel 25,4 cm avec transformateur
Plage de fréquence efficace (-10 dB) ¹	60 – 20 kHz	55 – 20 kHz	50 – 19 kHz
Tension / puissance nominales ²	35 Vrms / 150 W	40 Vrms / 200 W	45 Vrms / 250 W
Sensibilité bande large ³	89 dB SPL	90 dB SPL	92 dB SPL
Angle de couverture (-6 dB) ⁴	105°	105°	90°
Facteur de directivité (Q)	5	7	10
Indice de directivité	7 dB	9 dB	10 dB
SPL continu maximum (1 m) ⁵	110 dB	113 dB	116 dB
SPL maximum (1 m) ⁵	116 dB	119 dB	122 dB
Impédance nominale	8Ω	8Ω	8Ω
Puissance d'amplificateur recommandée	300 W	400 W	500 W
Prise de transformateur 70 V	60, 30, 15, 7,5 W et dérivation 8 Ω	60, 30, 15, 7,5 W et dérivation 8 Ω	100, 50, 25, 12,5 W et dérivation 8 Ω
Prise de transformateur 100 V	60, 30, 15 W et dérivation 8 Ω	60, 30, 15 W et dérivation 8 Ω	100, 50, 25 W et dérivation 8 Ω
Transducteur de hautes fréquences	Haut-parleur d'aigus à dôme en soie de 25 mm / pavillon acoustique à bobine acoustique de 25 mm chargé	Étage d'attaque de compression sortie 25 mm / bobine acoustique 35 mm	Étage d'attaque de compression sortie 25 mm / bobine acoustique 35 mm
Transducteur de basses fréquences	Haut-parleur de graves à membrane en papier résistant aux intempéries de 15,2 cm, bobine acoustique 38 mm	Haut-parleur de graves à membrane en papier résistant aux intempéries de 20,3 cm, bobine acoustique 50 mm	Haut-parleur de graves à membrane en papier résistant aux intempéries de 25,4 cm, bobine acoustique 64 mm
Connecteur d'entrée	Connecteur de style européen avec sortie parallèle		
Détails de l'enceinte			
Matériau	Polymère ABS		
Finition	Peinture noire RAL 9011 ou blanche RAL 9010		
Grille	Aluminium à revêtement en poudre		
Matériau du X-Mount	Aluminium à revêtement en poudre		
Indice de protection	Conforme à IP-54 pour la résistance aux poussières et aux projections.		
Environnement d'utilisation	Conçu pour une utilisation à l'intérieur ou l'extérieur		
Plage de température (fonctionnement)	-20 à 50 °C		
Tests - qualifié pour une utilisation à l'extérieur d'après les essais suivants :	Test de corrosion accélérée au chlore : MIL-STD-810G Méthode 509.5 pendant 100 h Humidité : MIL-STD-810G méthode 507.5, cycle naturel B2, forte HR cyclique pendant 7 jours Températures min. et max. : test conforme aux normes internes à QSC entre -20 et 50° C		
Poids (net)	6,2 kg	11 kg	14 kg
Dimensions (HxLxP)	365 mm x 215 mm x 215 mm	440 mm x 254 mm x 251 mm	516 mm x 318 mm x 298 mm
Accessoires fournis	Système X-Mount™, connecteur de style européen, couvercle de panneau d'entrée	Système X-Mount™, connecteur de style européen	Système X-Mount™, connecteur de style européen
Accessoires	Sans objet	Kit de support à berceau – YMS8T-WHT / YMS8T-BLK M10 Kit-C	Kit de support à berceau – YMS10T-WHT / YMS10T-BLK M10 Kit-C

¹ Champ libre, -10 dB de la sensibilité paraxiale

² CEI60268-1 - signal bruyant pendant 2 h

³ Sensibilité en champ libre paraxiale, 2,83 V, 1 m

⁴ Angle de couverture mesuré avec bande passante de 3 à 10 kHz

⁵ Calculé à partir de la tension de bruit et de la sensibilité nominales

Caractéristiques techniques

	AD-S12	AD-S112sw
Configuration	Bidirectionnel 30,5 cm	Caisson d'extrêmes graves à rayonnement direct de 30,5 cm
Plage de fréquence efficace (-10 dB) ¹	52 – 20 kHz	30 – 135 Hz
Tension / puissance nominales ²	50 Vrms / 300 W	50 Vrms / 300 W
Sensibilité bande large ³	95 dB SPL	90 dB SPL
Angle de couverture (-6 dB) ⁴	75°	M10 Kit-C
Facteur de directivité (Q)	12	Sans objet
Indice de directivité	11 dB	Sans objet
SPL continu maximum (1 m) ⁵	120 dB	115 dB
SPL maximum (1 m) ⁵	126 dB	121 dB
Impédance nominale	8Ω	8 Ω
Puissance d'amplificateur recommandée	600 W	600 W
Prise de transformateur 70 V	Sans objet	Sans objet
Prise de transformateur 100 V	Sans objet	Sans objet
Transducteur de hautes fréquences	Étage d'attaque de compression sortie 25 mm / bobine acoustique 35 mm	Sans objet
Transducteur de basses fréquences	Haut-parleur de graves à membrane en papier résistant aux intempéries de 30,4 cm, bobine acoustique 64 mm	Haut-parleur de graves à membrane en papier résistant aux intempéries de 30,5 cm, bobine acoustique 64 mm
Connecteur d'entrée	Connecteur de style européen avec sortie parallèle	
Détails de l'enceinte		
Matériau	Polymère ABS	
Finition	Peinture noire RAL 9011 ou blanche RAL 9010	Peinture noire RAL 9011
Grille	Aluminium à revêtement en poudre	
Matériau du support à berceau	Acier galvanisé à revêtement en poudre	
Indice de protection	Conforme à IP-54 pour la résistance aux poussières et aux projections.	
Environnement d'utilisation	Conçu pour une utilisation à l'intérieur ou l'extérieur	
Plage de température (fonctionnement)	-20 à 50 °C	
Tests - qualifié pour une utilisation à l'extérieur d'après les essais suivants :	Test de corrosion accélérée au chlore : MIL-STD-810G Méthode 509.5 pendant 100 h Humidité : MIL-STD-810G méthode 507.5, cycle naturel B2, forte HR cyclique pendant 7 jours Températures min. et max. : test conforme aux normes internes à QSC entre -20 et 50° C	
Poids (net)	16 kg	13,2 kg
Dimensions (HxLxP)	596 mm x 354 mm x 323 mm	596 mm x 354 mm x 322 mm
Accessoires fournis	Système X-Mount™, connecteur de style européen	Monture d'empîement blanc ou noir, Connecteur de style européen
Accessoires	Kit de support à berceau – YMS12-WHT / YMS12-BLK M10 Kit-C	M10 Kit-C

1 Champ libre, -10 dB de la sensibilité paraxiale
2 CEI60268-1 - signal bruyant pendant 2 h
3 Sensibilité en champ libre paraxiale, 2,83 V, 1 m

4 Angle de couverture mesuré avec bande passante de 3 à 10 kHz
5 Calculé à partir de la tension de bruit et de la sensibilité nominales



Adresse :

QSC Audio Products, LLC

1675 MacArthur Boulevard

Costa Mesa, CA 92626-1468, États-Unis

Téléphone :

Standard : (714) 754-6175

Ventes & Marketing : (714) 957-7100 ou numéro vert (États-Unis
seulement) (800) 854-4079

Service clientèle : (714) 957-7150 ou numéro vert (États-Unis seulement)
(800) 772-2834

Télécopieur :

Fax Ventes & Marketing : (714) 754-6174

Fax Service clientèle : (714) 754-6173

Site Web :

www.qsc.com

E-mail :

info@qsc.com

service@qsc.com

© 2024 QSC Audio Products, LLC. Tous droits réservés. QSC et le logo QSC sont des marques de QSC Audio Products, LLC déposées aux États-Unis et dans d'autres pays. X-Mount est une marque de commerce de QSC Audio Products, LLC. Toutes les autres marques de commerce appartiennent à leur propriétaire respectif.

Brevets américains et internationaux en instance.

<http://patents.qsc.com>.

Bedienungsanleitung

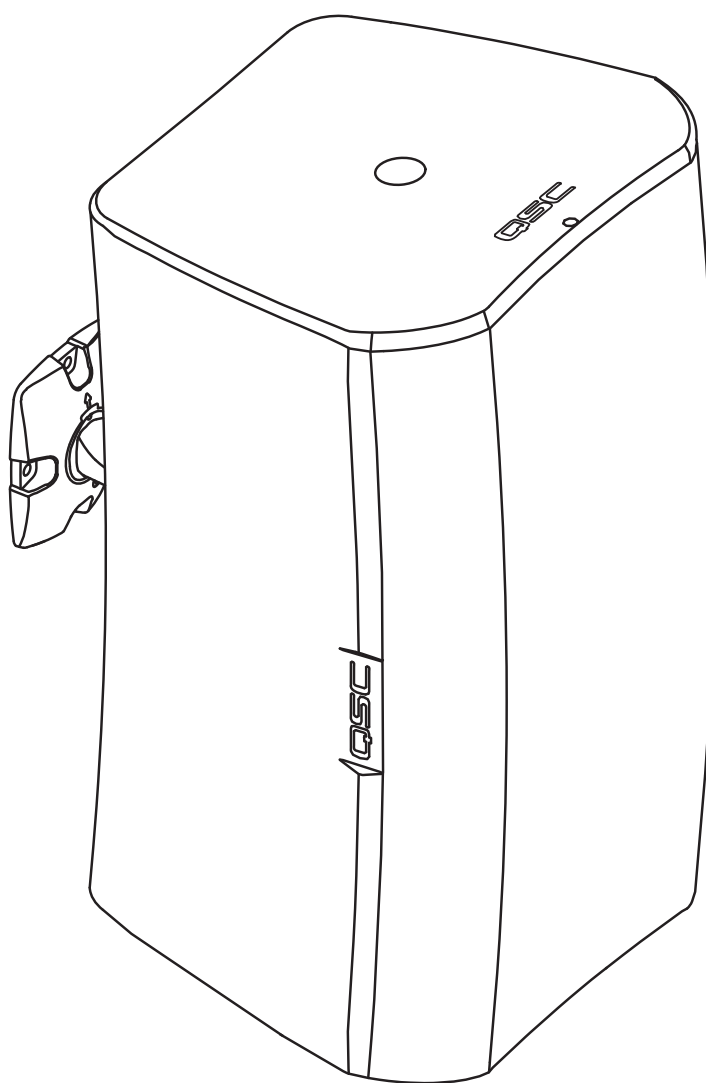
AD-S6T – Zweiweg-Vordergrund/Hintergrund-Lautsprecher, 6 Zoll, mit 70/100-V-Transformator

AD-S8T – Zweiweg-Vordergrund/Hintergrund-Lautsprecher, 8 Zoll, mit 70/100-V-Transformator

AD-S10T – Zweiweg-Vordergrund/Hintergrund-Lautsprecher, 10 Zoll, mit 70/100-V-Transformator

AD-S12 – Zweiweg-Vordergrund/Hintergrund-Lautsprecher, 12 Zoll

AD-S112sw – Direktstrahler-Subwoofer, 12 Zoll



ERLÄUTERUNG DER SYMBOLE

Der Begriff **ACHTUNG!** kennzeichnet Anweisungen, die die persönliche Sicherheit betreffen. Werden die Anweisungen nicht befolgt, können Körperverletzungen oder tödliche Verletzungen die Folge sein.

Der Begriff **VORSICHT!** kennzeichnet Anweisungen, die mögliche Geräteschäden betreffen. Werden diese Anweisungen nicht befolgt, können Geräteschäden verursacht werden, die eventuell nicht von der Garantie gedeckt sind.

Der Begriff **WICHTIG!** kennzeichnet Anweisungen oder Informationen, die zur erfolgreichen Durchführung des Verfahrens unerlässlich sind.

Der Begriff **HINWEIS** verweist auf weitere nützliche Informationen.



NOTE: Das aus einem Blitz mit einer Pfeilspitze bestehende Symbol in einem Dreieck soll den Benutzer auf das Vorhandensein nicht isolierter, gefährlicher Spannungen innerhalb des Gehäuses aufmerksam machen, die stark genug sein können, um einen elektrischen Schlag zu verursachen.



NOTE: Das Ausrufezeichen in einem Dreieck soll den Benutzer auf das Vorhandensein wichtiger Sicherheits-, Betriebs- und Wartungsanleitungen in diesem Handbuch aufmerksam machen.



WICHTIGE SICHERHEITSHINWEISE



WARNING!: Zur Vermeidung von Bränden und Stromschlägen darf diese Ausrüstung weder Regen noch Feuchtigkeit ausgesetzt werden.



WARNING!: Ein Lautsprecher kann zwar auch von einer einzigen Person angehoben werden; es muss jedoch unbedingt auf den Gebrauch der richtigen Hebetekniken geachtet werden. Empfohlene Lektüre: OSHA Technical Manual on Back Disorders and Injuries (in englischer Sprache) (http://www.osha.gov/dts/osta/otm/otm_vii/otm_vii_1.html#app_vii:1_2).

- Diese Anleitung gut aufbewahren.
- Alle Warnhinweise beachten.
- Alle Anweisungen befolgen.
- Nur mit einem trockenen Tuch reinigen.
- Nicht in der Nähe von Wärmequellen wie Heizkörpern, Warmluftschiebern, Öfen oder anderen Geräten (einschließlich Verstärkern) aufstellen, die Wärme abstrahlen.
- Nur vom Hersteller spezifiziertes Zubehör verwenden.
- Wartungsarbeiten nur von qualifiziertem Instandhaltungspersonal ausführen lassen.
- Alle anwendbaren örtlichen Vorschriften beachten.
- In Zweifelsfällen oder bei Fragen zur Installation eines Geräts sollten Sie einen qualifizierten Techniker hinzuziehen.

Einführung

Die Serie AcousticDesign ist eine Reihe hochwertiger, oberflächenmontierter und für eine permanente Installation vorgesehener Lautsprecher. Jeder der in einem robusten ABS-Spritzgussgehäuse untergebrachten Lautsprecher (mit Ausnahme der Modelle AD-S12 und AD S112sw) besitzt einen 70/100-V-Transformator zur Verwendung mit verteilten Audioleitungen. Die im Lieferumfang jedes AcousticDesign-Lautsprechers enthaltene X-Mount™ Spezialhalterung mit Euro-Stecker bietet maximale Flexibilität und ermöglicht ein schnelles Installieren. Dank einer gerändelten Kugelhalterung und diskret angebrachter Winkelmarkierungen kann der Einbautechniker schnell und sicher den Lautsprecher-Feststellwinkel einstellen. Der Euro-Stecker ermöglicht ein Vorverdrahten des Systems; durch das schnelle Einrasten des Lautsprechers in der Halterung lässt sich die Installation in einem Bruchteil der Zeit erledigen, die für Konkurrenzmodelle erforderlich ist.

Auspacken

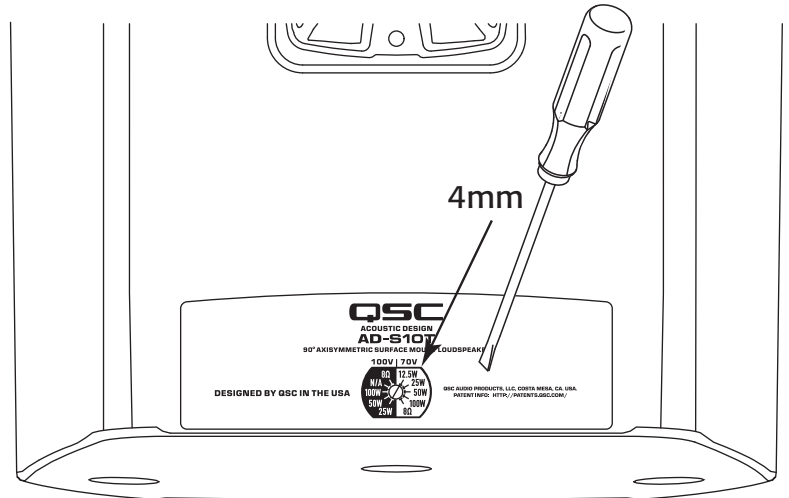
Lieferumfang

1. Schnellstartanleitung
2. AcousticDesign-Lautsprecher
3. 4-poliger Euro-Stecker
4. Klemmenleisten-Witterungsschutz
5. Kreuzschlitzschrauben (4) M4 (Klemmenleisten-Witterungsschutz)
6. X-Mount™ Halterung (Hornhalterung für AD-S112sw)

Einstellen des Transformator-Stufenwahlschalters

Siehe Abbildung 1.

1. Führen Sie einen 4-mm-Flachschraubendreher in die Öffnung des Transformator-Stufenwahlschalters ein und stecken Sie ihn in den Schlitz zum Drehen des Schalters.
2. Bei einer vollen Umdrehung im Uhrzeigersinn befindet sich der Transformator in der 8-Ω-Umgehungsstellung.

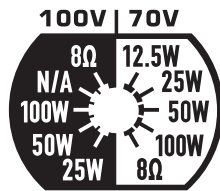


– Figure 1 –

AD-S10T

100 V	70 V
8 Ω	8 Ω
--	100 W
100 W	50 W
50 W	25 W
25 W	12,5 W

– Table 1 –

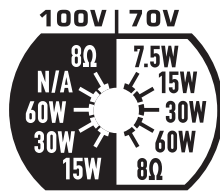


– Figure 2 –

AD-S6T, AD-S8T

100 V	70 V
8 Ω	8 Ω
--	60 W
60 W	30 W
30 W	15 W
15 W	7,5 W

– Table 2 –



– Figure 3 –

Montage der Lautsprecher

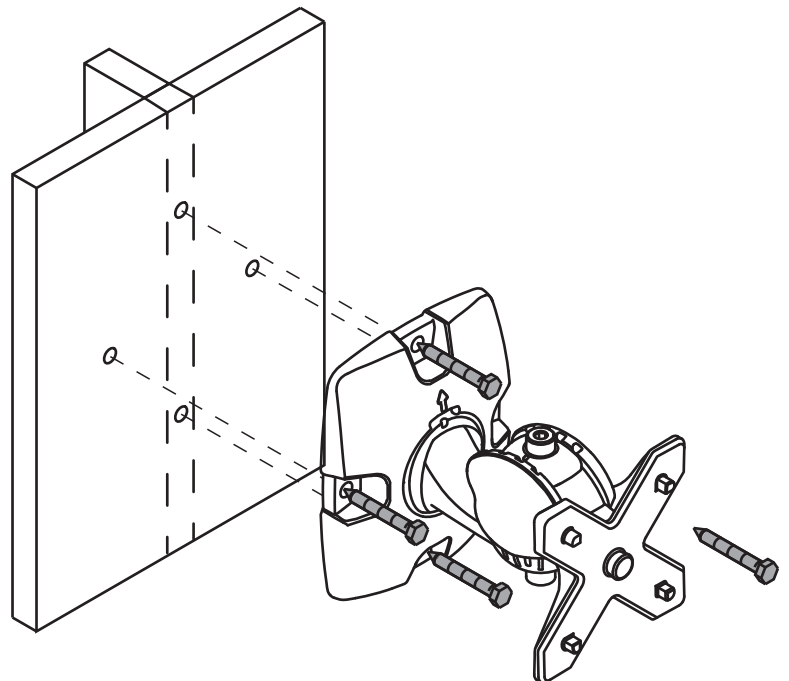
Einbau der X-Mount™ Halterung

Siehe Abbildung 4.



WARNING!: Montieren Sie das System nach den örtlichen Bauvorschriften. Engagieren Sie einen lizenzierten Auftragsnehmer oder einen fachkundigen Techniker. QSC Audio Products ist für keine Schäden verantwortlich, die auf eine fahrlässige Montage von Halterungen oder Lautsprechern zurückzuführen sind.

1. Montieren Sie den Lautsprecher auf einer Oberfläche, die sein Gewicht aufnehmen kann.



– Figure 4 –

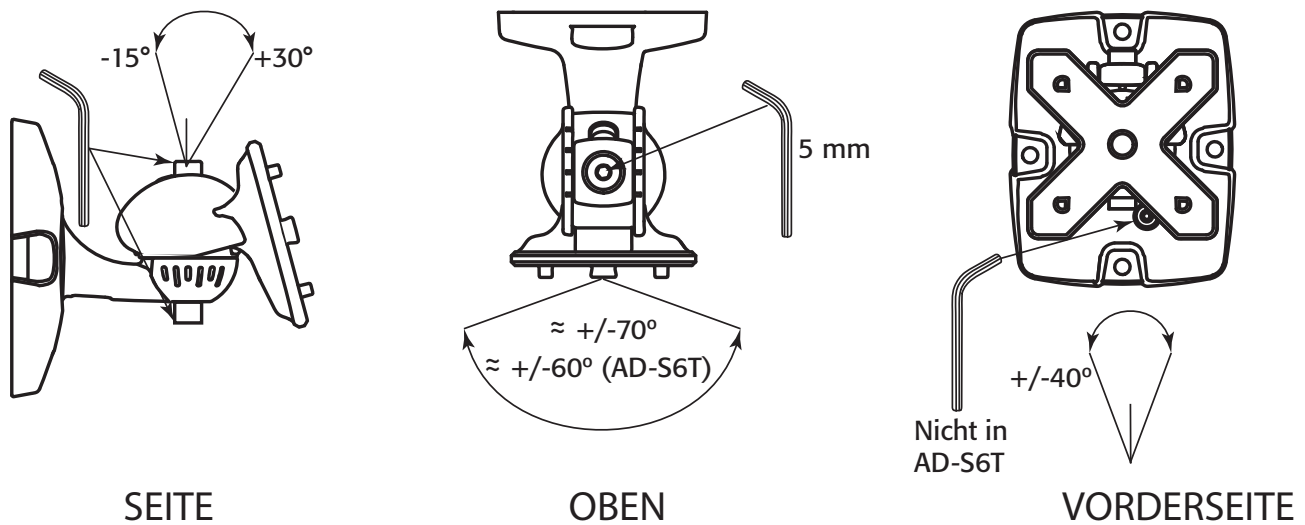
Einstellen des Winkels der X-Mount™ Halterung

Siehe Abbildung 5.



NOTE: Dieser Schritt kann jetzt gleich oder nach der Montage des Lautsprechers durchgeführt werden.

1. Lockern Sie die Positionsverriegelungsschrauben mit einem 5-mm-Inbusschlüssel.
2. Richten Sie die Halterung nach Bedarf aus.
3. Ziehen Sie die Positionsverriegelungsschrauben wieder an.



– Figure 5 –

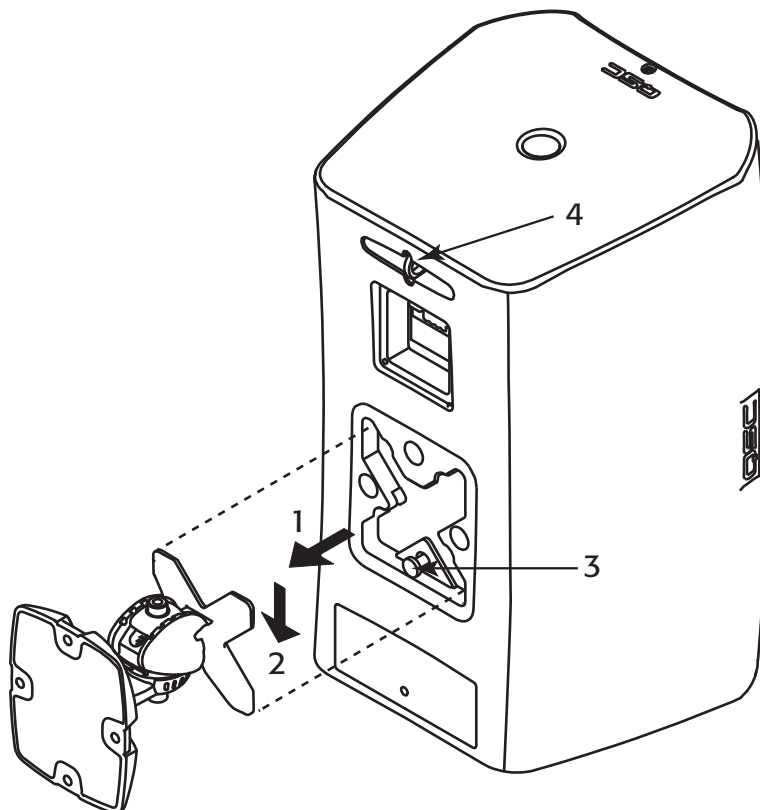
Montage des Lautsprechers an der Halterung

Siehe Abbildung 6.



NOTE: Der Lautsprecher kann in jeder beliebigen Ausrichtung (nach oben/unten/links/rechts) auf der Halterung befestigt werden.

1. Richten Sie die X-förmige Vertiefung mit der X-Mount™ Halterung aus und drücken Sie den Lautsprecher auf die Halterung. (1)
2. Ziehen Sie den Lautsprecher nach dem Einsetzen in die Halterung nach unten, um ihn in der Halterung zu verriegeln. (2)
3. (Optional) Ziehen Sie den Sicherheitsbolzen (3) gerade heraus und heben Sie ihn gut auf. Wenn der Lautsprecher entfernt werden soll, bringen Sie den Sicherheitsbolzen wieder an, drücken ihn hinein und nehmen den Lautsprecher ab.



– Figure 6 –

Befestigen eines Haltegurts (nicht im Lieferumfang enthalten)



WARNING! Verbinden Sie den Haltegurt NICHT mit der Montagehalterung oder den Schrauben, mit denen diese befestigt ist.

1. Es wird empfohlen, den Haltegurt vom Sicherungsring (4) auf der Rückseite des Lautsprechers zu einer zur Bausubstanz gehörenden Position an der Wand zu führen, die den Lautsprecher im Falle einer Herunterfallens festhalten kann.

DE

Aufhängen des Lautsprechers

Siehe Abbildung 7.



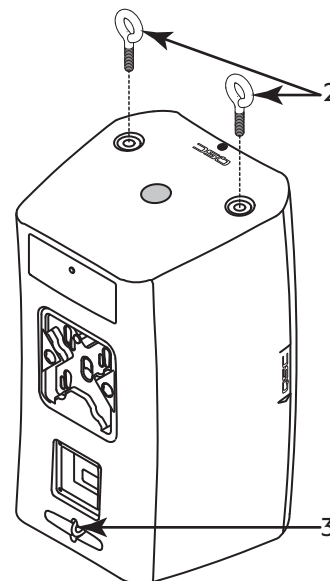
WARNING! Beachten Sie beim Aufhängen des Lautsprechers die örtlichen Bauvorschriften. Engagieren Sie einen lizenzierten Auftragsnehmer oder einen fachkundigen Techniker. QSC Audio Products ist nicht verantwortlich für Schäden durch einen fahrlässigen Einbau von Aufhängungskabeln oder Lautsprechern.

Die AcousticDesign-Lautsprecher (Modelle AD-S8T, AD-S10T und AD-S12) können am Rückziehpunkt und den M10-Ösen aufgehängt werden, die Sie in den Boden des Gehäuses einschrauben.



NOTE: Beim Aufhängen des Gehäuses mit der Woofer-Seite nach oben befindet sich die Hochfrequenzseite näher am Zuhörer und wird der Bass-Frequenzgang bei einer Anbindung an die Decken- und Wandebene verbessert.

1. Entfernen Sie die 2 M10-Stecker (nicht abgebildet) vom Boden des Lautsprechergehäuses.
2. Schrauben Sie die beiden M10 -1.5 Ösen (2) (Zubehör M10 Kit-C) in die M10-Einbaulöcher im Boden des Lautsprechergehäuses ein.
3. Befestigen Sie ein geeignetes Kabel am Haltegurt-Sicherungsring (3) für den Rückziehpunkt.



– Figure 7 –

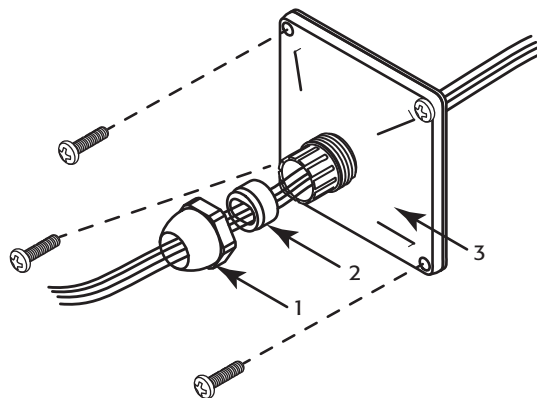
Montage des Lautsprechers an der Jochhalterung

Zusätzlich zu den oben beschriebenen Montagethoden können Sie den Lautsprecher auch mithilfe des optional erhältlichen Jochmontage-Kits anbringen. Beachten Sie die entsprechende Anleitung im Joch-Kit. Relevante Hinweise finden Sie im Abschnitt „Technische Daten“ auf Seite 12.

Anbringen der Witterungsabdeckung (optional)

Siehe Abbildung 8.

1. Schieben Sie die Mutter (1), die Kompressionsdichtung (2) und die Witterungsabdeckung/Dichtung (3) über die Leiter für den Lautsprecher.
2. Schließen Sie die Leiter im Euro-Stecker ab – siehe „Verdrahten des Lautsprechers“ auf Seite 6
3. Bringen Sie den Euro-Stecker an.
4. Schieben Sie die Witterungsabdeckung/Dichtung (3) nach oben neben den Anschlusskasten; sorgen Sie mit einer kurzen Kabellänge im Innern der Abdeckung für die erforderliche Zugentlastung.
5. Befestigen Sie die Witterungsabdeckung mit vier (im Lieferumfang enthaltenen) Schrauben am Gehäuse.
6. Schieben Sie die Kompressionsdichtung (2) in die Schraubbuchse der Witterungsabdeckung.
7. Schieben Sie die Mutter über die Schraubbuchse der Witterungsabdeckung und ziehen Sie sie fest.

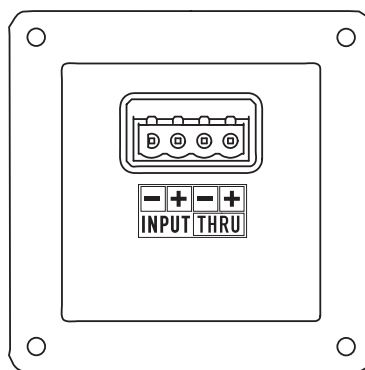
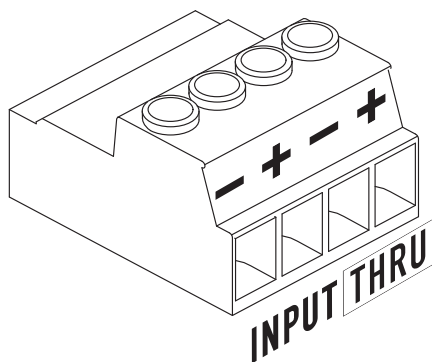


– Figure 8 –

Verdrahten des Lautsprechers

Verwenden Sie zum Verdrahten des Lautsprechers ein Kabel mit einem max. Leiterquerschnitt von AWG 12 (2,052 mm). Siehe Abbildung 9.

1. Achten Sie bei Gebrauch der optionalen Witterungsabdeckung darauf, dass die Verdrahtung in der richtigen Reihenfolge durch alle drei Teile der Abdeckung geführt wird.
2. Schließen Sie den negativen und positiven Leiter wie gezeigt an INPUT (Eingang) +/- an. Ziehen Sie die Drahtklammerschrauben an.
3. Schließen Sie die Daisy-Chain-Leiter wie gezeigt an THRU (Durchgang) +/- an. Diese Leiter führen zum nächsten Lautsprecher in der Kette („Daisy Chain“).

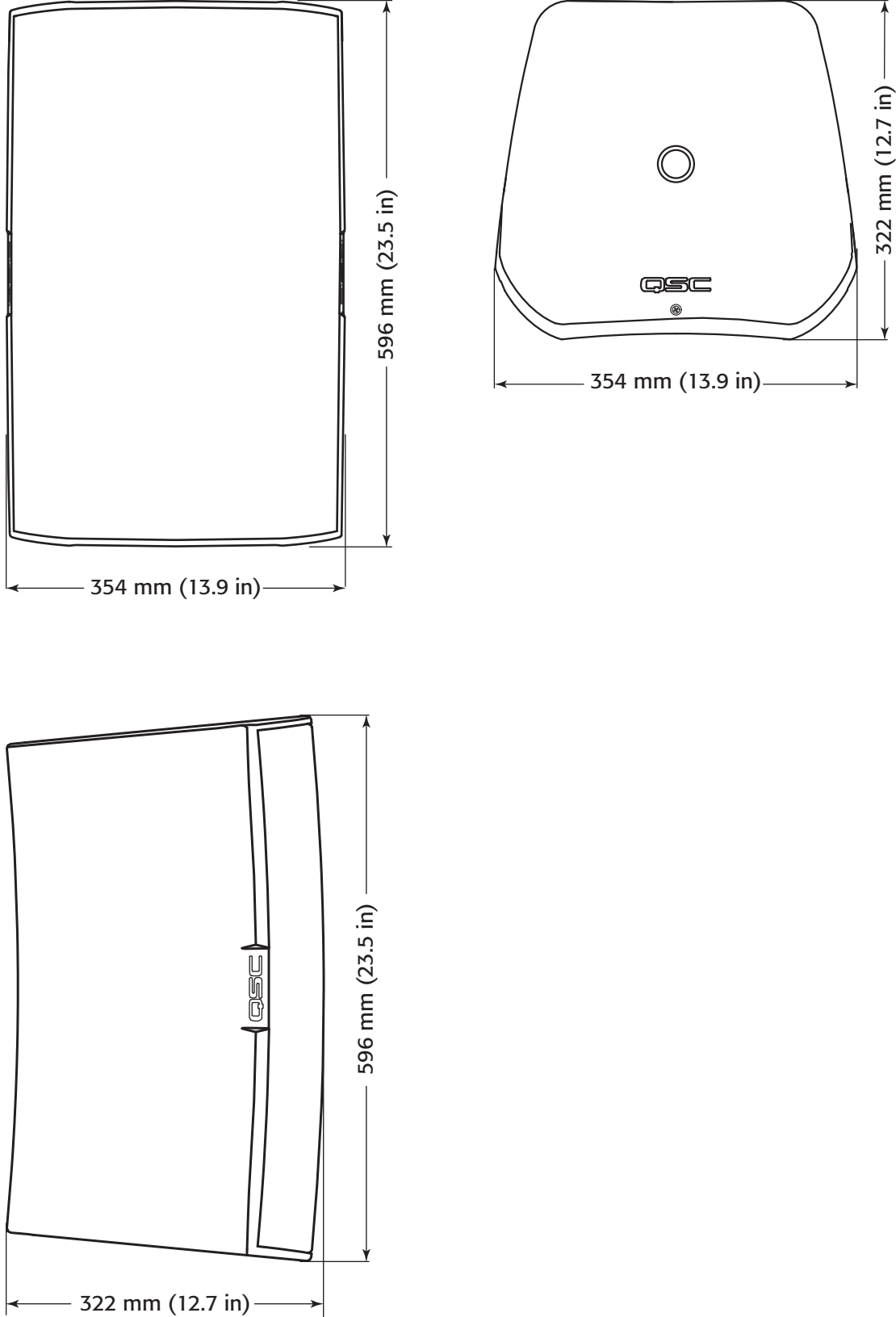


– Figure 9 –

Entfernen des Lautsprechers

1. Stellen Sie sicher, dass alle Leiter abgetrennt sind und der Haltegurt entfernt wurde.
2. Wenn der Sicherheitsbolzen unten in der Lautsprecherhalterung NICHT entfernt wurde, drücken Sie den Bolzen nach innen und schieben den Lautsprecher in die dem Einbauverfahren entgegengesetzte Richtung.
3. Wenn der Sicherheitsbolzen entfernt wurde, setzen Sie ihn wieder ein oder führen Sie einen kleinen Stab (<4 mm) ein und entriegeln Sie damit die Montagesperre.

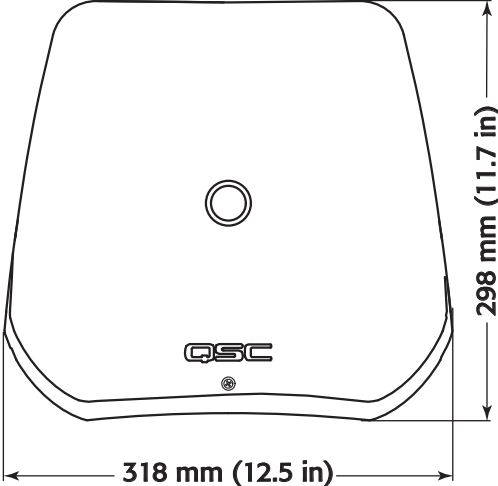
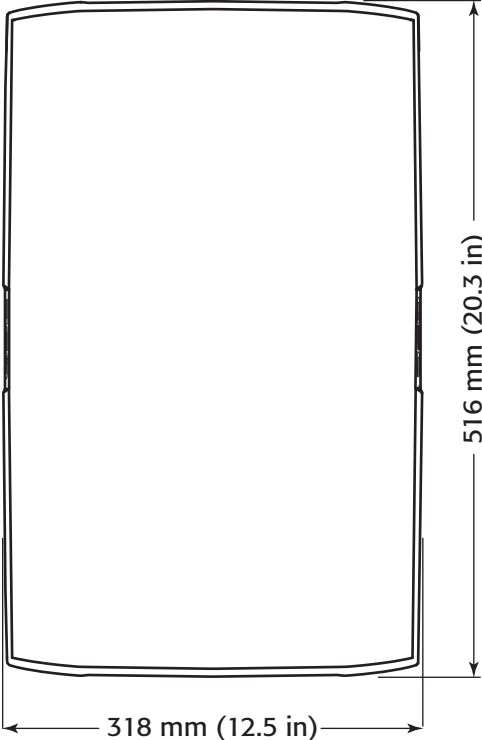
AD-S12 – Abmessungen



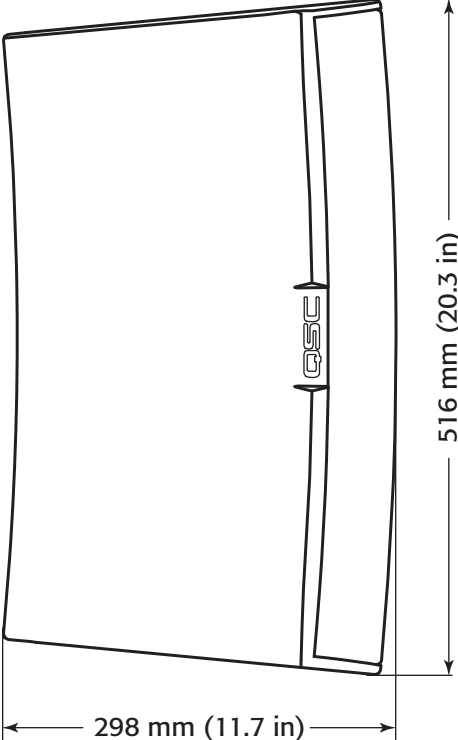
DE

– Figure 10 –

AD-S10T – Abmessungen

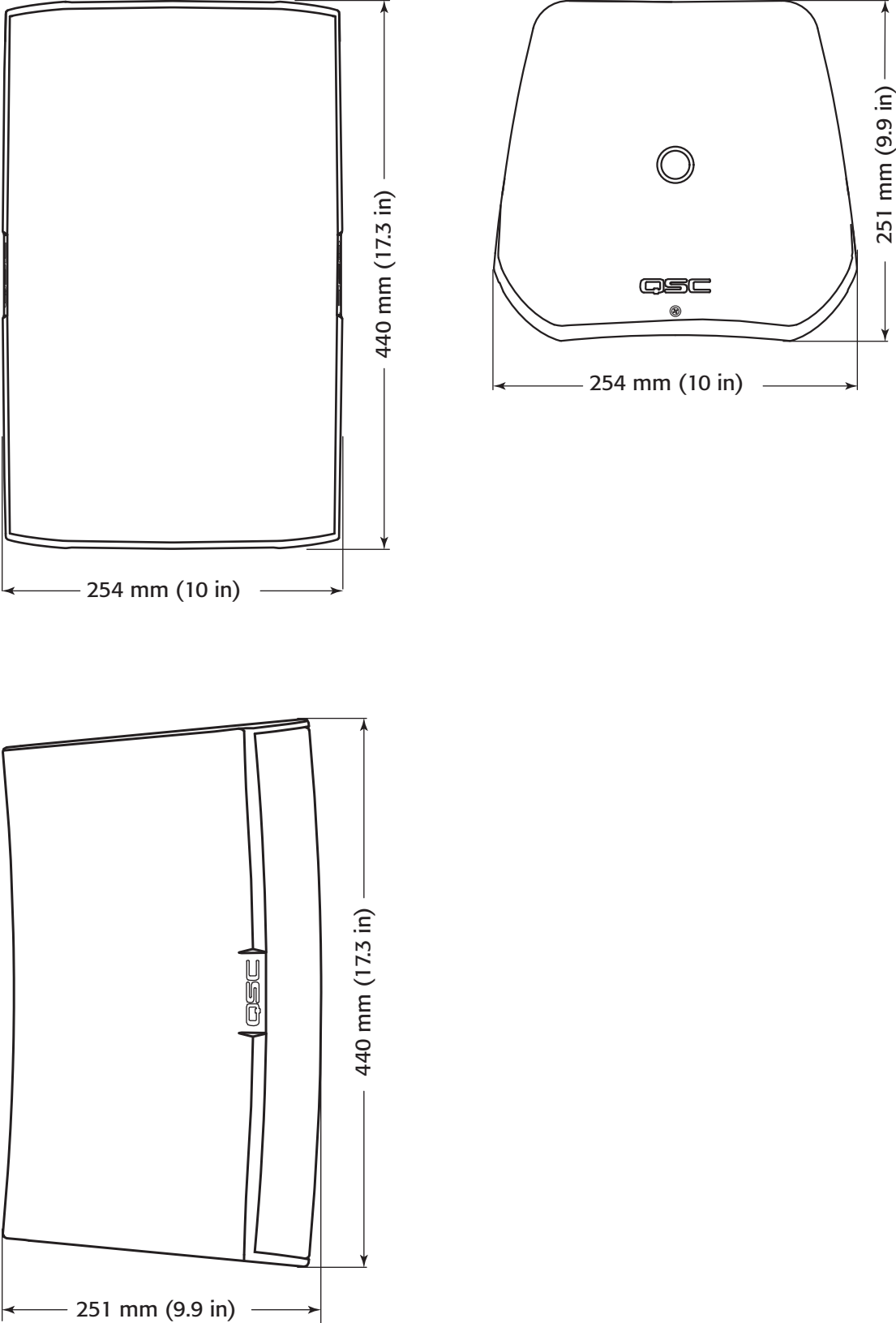


DE



– Figure 11 –

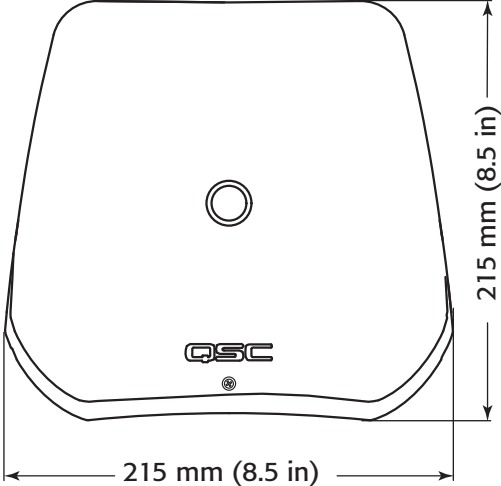
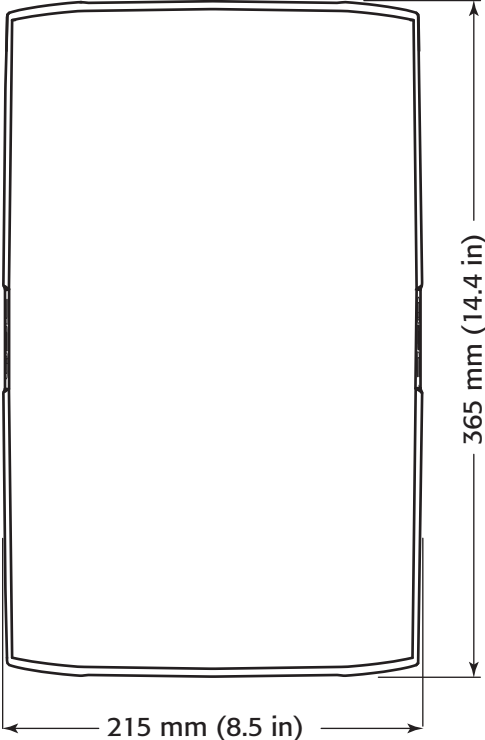
AD-S8T – Abmessungen



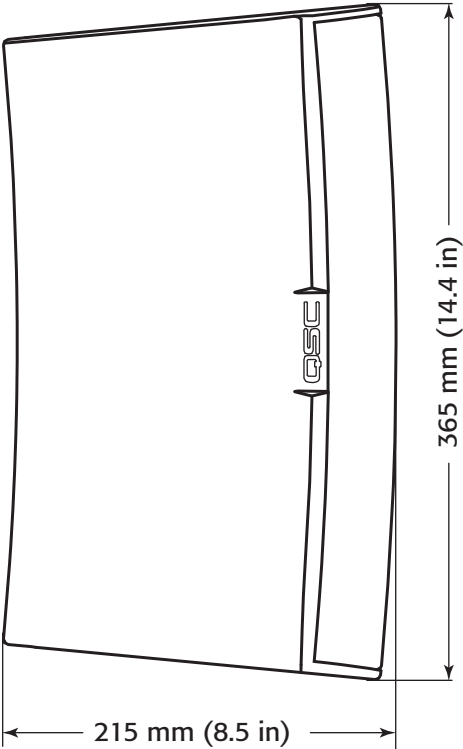
DE

– Figure 12 –

AD-S6T – Abmessungen

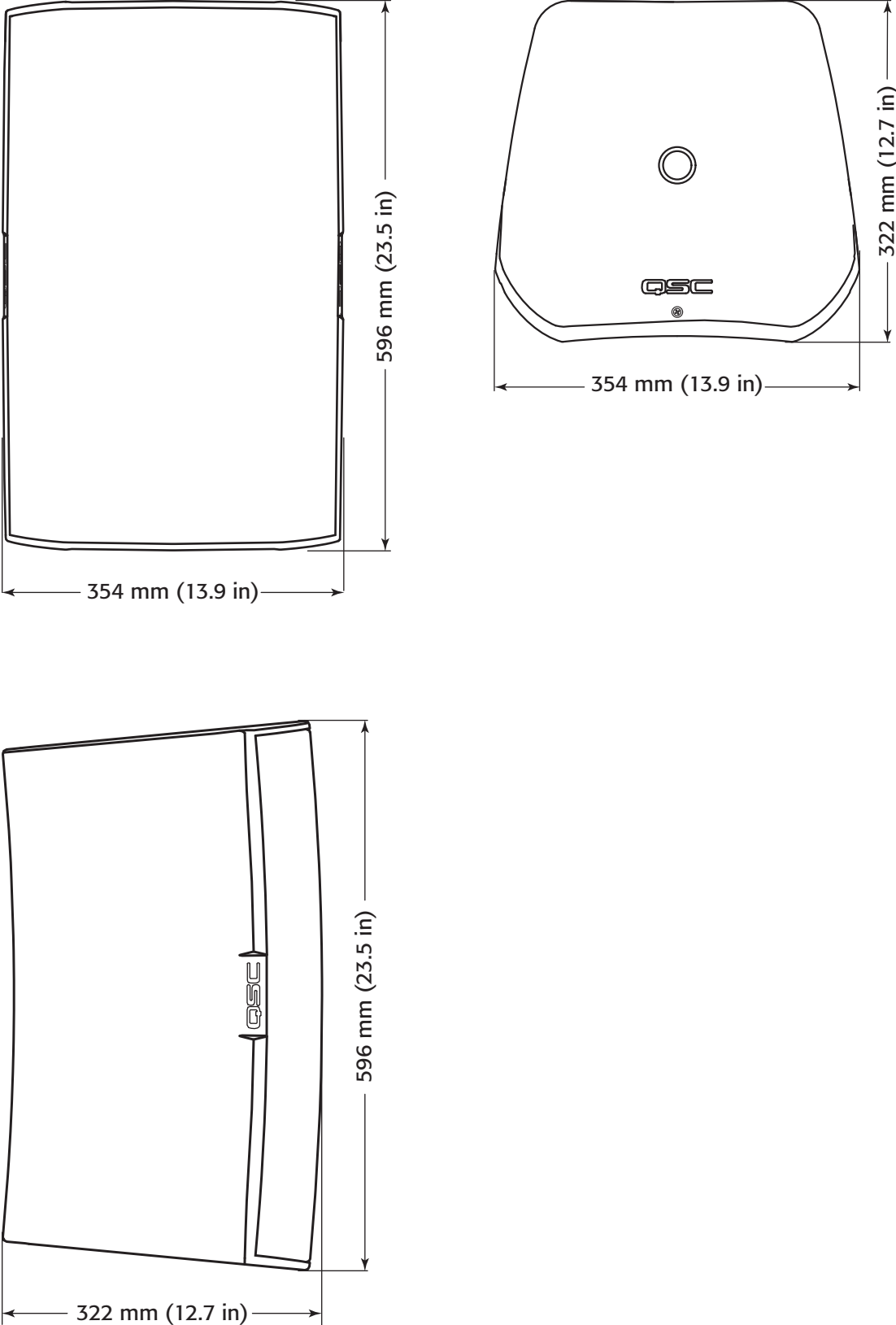


DE



– Figure 13 –

AD-S112sw – Abmessungen



DE

– Figure 14 –

Technische Daten

	AD-S6T	AD-S8T	AD-S10T
Konfiguration	6 Zoll, 2-Weg mit Transformator	8 Zoll, 2-Weg mit Transformator	10 Zoll, 2-Weg mit Transformator
Effektiver Frequenzbereich (-10 dB) ¹	60 – 20 kHz	55 – 20 kHz	50 – 19 kHz
Nennspannung/-leistung ²	35 V(eff) / 150 W	40 V(eff) / 200 W	45 V(eff) / 250 W
Breitbandempfindlichkeit ³	89 dB SPL	90 dB SPL	92 dB SPL
Abstrahlwinkel (-6 dB) ⁴	105°	105°	90°
Richtungsfaktor (Q)	5	7	10
Richtungsmaß	7 dB	9 dB	10 dB
Maximaler kontinuierlicher Schalldruck (1 m) ⁵	110 dB	113 dB	116 dB
Maximaler Spitzenschalldruck (1 m) ⁵	116 dB	119 dB	122 dB
Nominelle Impedanz	8Ω	8Ω	8Ω
Empfohlene Verstärkerleistung	300 W	400 W	500 W
Transformatorstufe 70 V	60, 30, 15, 7,5 W und 8-Ω-Umgehung	60, 30, 15, 7,5 W und 8-Ω-Umgehung	100, 50, 25, 12,5 W und 8-Ω-Umgehung
Transformatorstufe 100 V	60, 30, 15, 15 W und 8-Ω-Umgehung	60, 30, 15, 15 W und 8-Ω-Umgehung	100, 50, 25 W und 8-Ω-Umgehung
Hochfrequenzwandler	1-Zoll-Seidenkalotten-Hochtöner / 1-Zoll-Schwingspule, horn geladen	1-Zoll-Ausgang / 1,4-Zoll-Sprachspulen-Kompressionstreiber	1-Zoll-Ausgang / 1,4-Zoll-Sprachspulen-Kompressionstreiber
Niederfrequenzwandler	Witterungsbeständiger 6-Zoll-Papier-Membran-Woofer, 38-mm-Sprachspule	Witterungsbeständiger 8-Zoll-Papier-Membran-Woofer, 50-mm-Sprachspule	Witterungsbeständiger 10-Zoll-Papier-Membran-Woofer, 64-mm-Sprachspule
Eingangsanschluss	Euro-Stecker mit parallelem Ausgang		
Gehäusedetails			
Material	ABS-Polymer		
Oberflächenbehandlung	Schwarze (RAL 9011) oder weiße (RAL 9010) Lackierung		
Gitter	Pulverspritzlackiertes Aluminium		
X-Mount-Material	Pulverspritzlackiertes Aluminium		
Schutz vor Eindringen unerwünschter Substanzen	Erfüllt IEC54 IP-54 bzgl. Staub- und Spritzbeständigkeit.		
Betriebsumgebung	Für den Gebrauch in Gebäuden und im Freien vorgesehen		
Betriebstemperaturbereich	-20 bis 50 °C		
Prüfungen: Aufgrund folgender bestandener Prüfungen für den Gebrauch im Freien geeignet:	Salznebel: MIL-STD-810G Methode 509.5 über einen Zeitraum von 100 Std. Luftfeuchtigkeit: MIL-STD-810G Methode 507.5, Naturzyklus B2, hohe zyklische rel. LF über einen Zeitraum von 7 Tagen Hoch- und Tieftemperatur: auf interne QSC-Standards zwischen -20° und 50° C geprüft		
Gewicht (netto)	6,2 kg	11 kg	14 kg
Abmessungen (HxBxT)	365 mm x 215 mm x 215 mm	440 mm x 254 mm x 251 mm	516 mm x 318 mm x 298 mm
Enthaltenes Zubehör	X-Mount™-System, Euro-Stecker, Eingangsfeld-Abdeckung	X-Mount™-System, Euro-Stecker	X-Mount™-System, Euro-Stecker
Wahlweises Zubehör	--	Jochhalterungs-Kit - YMS8T-WHT / YMS8T-BLK M10 Kit-C	Jochhalterungs-Kit - YMS10T-WHT / YMS10T-BLK M10 Kit-C

¹ Freifeld, -10 dB von Empfindlichkeit auf Achse

² IEC60268-1 Rauschsignal, 2 Stunden

³ Auf Achse, Freifeldempfindlichkeit, 2,83 V, 1 m

⁴ Messung des Abstrahlwinkels mit 3 - 10 kHz Bandbreite

⁵ Berechnet auf Basis der Rauschspannung und Empfindlichkeit

Technische Daten

	AD-S12	AD-S112sw
Konfiguration	12 Zoll, 2-Weg	12-Zoll-Subwoofer, direkt abstrahlend
Effektiver Frequenzbereich (-10 dB) ¹	52 – 20 kHz	30 – 135 Hz
Nennspannung/-leistung ²	50 V(eff) / 300 W	50 V(eff) / 300 W
Breitbandempfindlichkeit ³	95 dB SPL	90 dB SPL
Abstrahlwinkel (-6 dB) ⁴	75°	M10 Kit-C
Richtungsfaktor (Q)	12	--
Richtungsmaß	11 dB	--
Maximaler kontinuierlicher Schalldruck (1 m) ⁵	120 dB	115 dB
Maximaler Spitzenschalldruck (1 m) ⁵	126 dB	121 dB
Nominelle Impedanz	8Ω	8Ω
Empfohlene Verstärkerleistung	600 W	600 W
Transformatorstufe 70 V	--	--
Transformatorstufe 100 V	--	--
Hochfrequenzwandler	1-Zoll-Ausgang / 1,4-Zoll-Sprachspulen-Kompressionstreiber	--
Niederfrequenzwandler	Witterungsbeständiger 12-Zoll-Papier-Membran-Woofers, 64-mm-Sprachspule	Witterungsbeständiger 12-Zoll-Papier-Membran-Woofers, 64-mm-Sprachspule
Eingangsanschluss	Euro-Stecker mit parallelem Ausgang	
Gehäusedetails		
Material	ABS-Polymer	
Oberflächenbehandlung	Schwarze (RAL 9011) oder weiße (RAL 9010) Lackierung	Schwarze Lackierung, RAL 9011
Gitter	Pulverspritzlackiertes Aluminium	
Jochmaterial	Pulverspritzlackierter, verzinkter Stahl	
Schutz vor Eindringen unerwünschter Substanzen	Erfüllt IEC54 IP-54 bzgl. Staub- und Spritzbeständigkeit.	
Betriebsumgebung	Für den Gebrauch in Gebäuden und im Freien vorgesehen	
Betriebstemperaturbereich	-20 bis 50 °C	
Prüfungen: Aufgrund folgender bestandener Prüfungen für den Gebrauch im Freien geeignet:	Salznebel: MIL-STD-810G Methode 509.5 über einen Zeitraum von 100 Std. Luftfeuchtigkeit: MIL-STD-810G Methode 507.5, Naturzyklus B2, hohe zyklische rel. LF über einen Zeitraum von 7 Tagen Hoch- und Tieftemperatur: auf interne QSC-Standards zwischen -20° und 50° C geprüft	
Gewicht (netto)	16 kg	13,2 kg
Abmessungen (HxBxT)	596 mm x 354 mm x 323 mm	596 mm x 354 mm x 322 mm
Enthaltenes Zubehör	X-Mount™-System, Euro-Stecker	Jochhalterung (Weiß oder Schwarz), Euro-Steckverbinder
Wahlweises Zubehör	Jochhalterungs-Kit - YMS12-WHT / YMS12-BLK M10 Kit-C	

1 Freifeld, -10 dB von Empfindlichkeit auf Achse

2 IEC60268-1 Rauschsignal, 2 Stunden

3 Auf Achse, Freifeldempfindlichkeit, 2,83 V, 1 m Freifeld, -10 dB von Empfindlichkeit auf Achse

4 Messung des Abstrahlwinkels mit 3 - 10 kHz Bandbreite

5 Berechnet auf Basis der Rauschspannung und Empfindlichkeit



Adresse:

QSC Audio Products, LLC
1675 MacArthur Boulevard
Costa Mesa, CA 92626-1468 USA

Telefonnummern:

Zentrale: +1 (714) 754-6175
Verkauf und Marketing: +1 (714) 957-7100 oder gebührenfrei
(nur in den USA) +1 (800) 854-4079
Kundendienst: +1 (714) 957-7150 oder gebührenfrei (nur in den USA)
+1 (800) 772-2834

Fax-Nummern:

Verkauf und Marketing - Fax: +1 (714) 754-6174
Kundendienst - Fax: (714) 754-6173

Internet:

www.qsc.com

E-Mail:

info@qsc.com
service@qsc.com

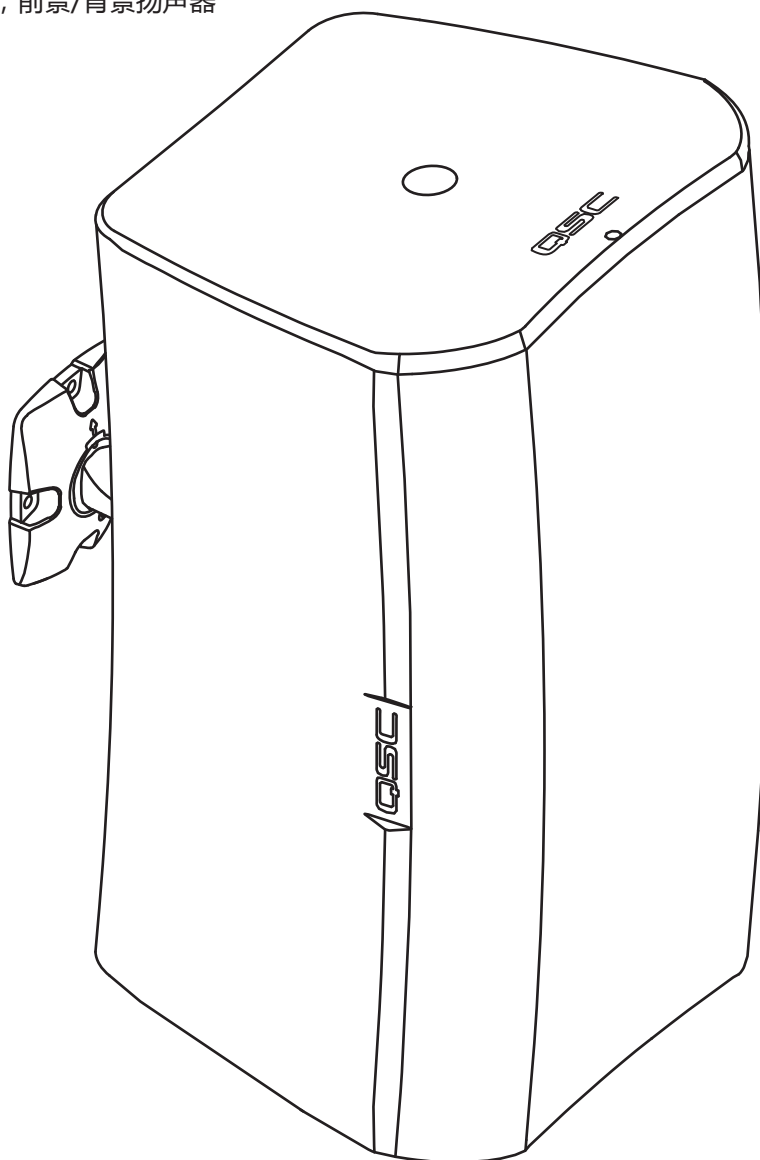
用户指南

AD-S6T – 6 英寸双向，前景/背景扬声器，配有 70/100V 变压器

AD-S8T – 8 英寸双向，前景/背景扬声器，配有 70/100V 变压器

AD-S10T – 10 英寸双向，前景/背景扬声器，配有 70/100V 变压器

AD-S12 – 12 英寸双向，前景/背景扬声器



符号说明

“警告！”一词指示有关人身安全的说明。如果不遵照这些说明，可能会导致人身伤亡。

“小心！”一词指示有关可能造成物理设备损坏的说明。如果不遵照这些说明操作，可能会导致设备损坏，而且这种损坏不在质保范围内。

“重要信息！”一词指示对于成功完成某一过程至关重要的说明或信息。

“注意”一词用于指示其他有用信息。



注：三角形内带箭头的闪电符号用于提醒用户该产品外壳内存在未绝缘的“危险”电压，此电压足以对人体造成电击危险。



等边三角形内部的惊叹号用于提醒用户注意本手册中重要的安全、操作和维护说明。



重要安全说明



警告！ 为了防止火灾或电击，请勿将此设备暴露在雨中或潮湿环境中。



警告！ 虽然一个人就可能搬起扬声器，但使用适当的搬运技巧仍然是至关重要的。
建议阅读：有关防止背部损伤和伤害的 OSHA 技巧手册
(http://www.osha.gov/dts/osta/otm/otm_vii/otm_vii_1.html#app_vii:1_2)。

- 请保存好这些说明。
- 请谨记所有警告。
- 请遵守所有说明。
- 清洁设备时只能用干布擦拭。
- 不要将本产品安装在会产生热量的热源，如散热器、热调节装置、炉子或其他设备（包括放大器）附近。
- 只能使用制造商指定的附件/配件。
- 应由合格人员进行维护。
- 严格遵守所有适用的当地法规。
- 如有任何关于物理设备安装的疑问或问题，请咨询持有执照的专业工程师。

简介

AcousticDesign 系列是优质的表面安装扬声器系列，旨在永久性安装应用。封装在坚固的 ABS 模塑外壳内的每个扬声器（除了 AD-S12）都配有一台 70/100V 变压器，以便使用分布式音频线。每个 AcousticDesign 扬声器都配有独特的 X-Mount™ 支架和欧式连接器，极为灵活，可以快速安装。其特色是设有一个有凸边的球架和间隔的角度部署标志，安装者可以迅速、安全地设置部署角度。欧式连接器允许系统提前接线，与扬声器的快速“摺扣”型部署结合，和竞争型号的产品相比，在很短的时间内就能完成安装。

拆开包装

包装清单

1. 快速入门指南
2. AcousticDesign 扬声器
3. 欧式连接器、四针脚
4. 终端天气防护罩
5. 十字头螺丝 (4) M4 (终端天气防护罩)
6. X-Mount™ 支架

设置变压器分接开关

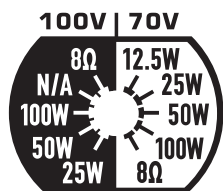
请参阅图 1。

1. 将 4mm 的平头螺丝刀插入变压器分接口，从插槽处进刀。
2. 顺时针满旋时，变压器为 8 Ω 旁路。

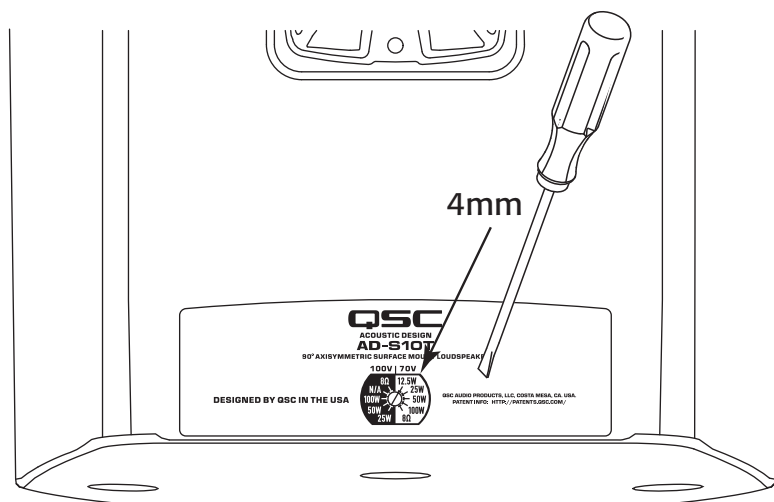
AD-S10T

100 伏	70 伏
8 Ω	8 Ω
不适用	100 W
100 W	50 W
50 W	25 W
25 W	12.5 W

— 表 1 —



— 图 2 —

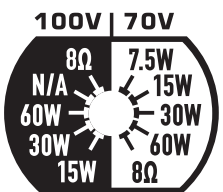


— 图 1 —

AD-S8T

100 伏	70 伏
8 Ω	8 Ω
不适用	60 W
60 W	30 W
30 W	15 W
15 W	7.5 W

— 表 2 —



— 图 3 —

安装扬声器

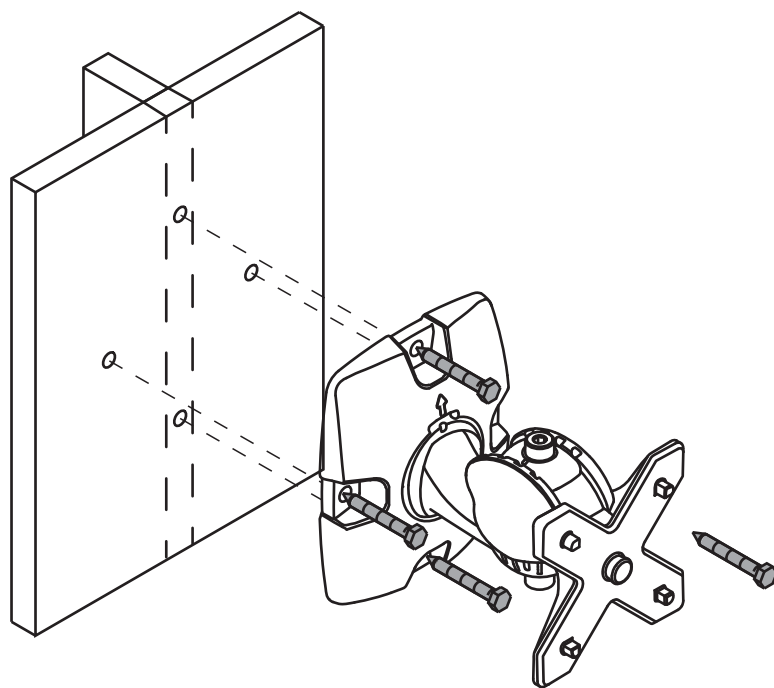
安装 X-Mount™ 支架

请参阅图 4。



警告！ 按照地方建筑法规和条例安装系统。雇用持有许可证的承包商或专业工程师。QSC Audio Products 不对任何支架或扬声器安装疏忽所造成的损坏负责。

1. 安装到可支撑扬声器重量的表面。



— 图 4 —

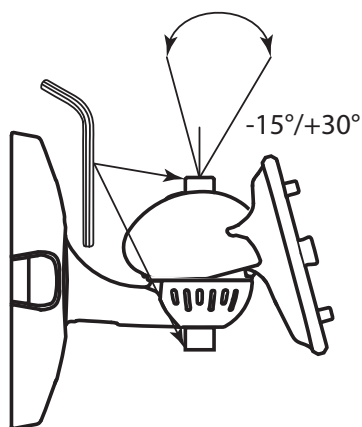
调整 X-Mount™ 支架的角度

请参阅图 5。

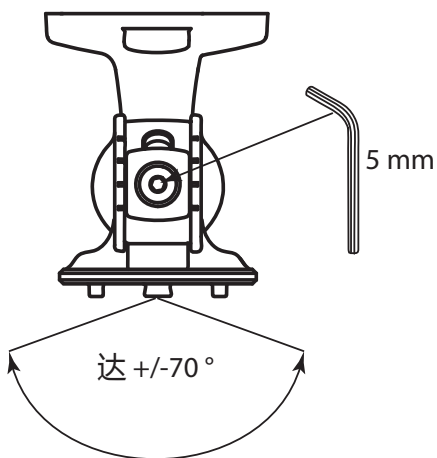


注：可以立即执行此步骤或在安装完扬声器后再执行。

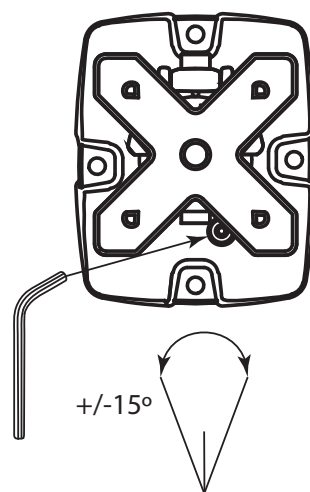
1. 使用 5mm 的六角扳手拧松调整固定螺丝。
2. 根据需要定位支架。



侧面



顶部



正面

— 图 5 —

CH

3. 拧紧固定螺丝。

在支架上安装扬声器

请参阅图 6。



注： 扬声器可以以任何方向（上，下，左，右）放置在底座上。

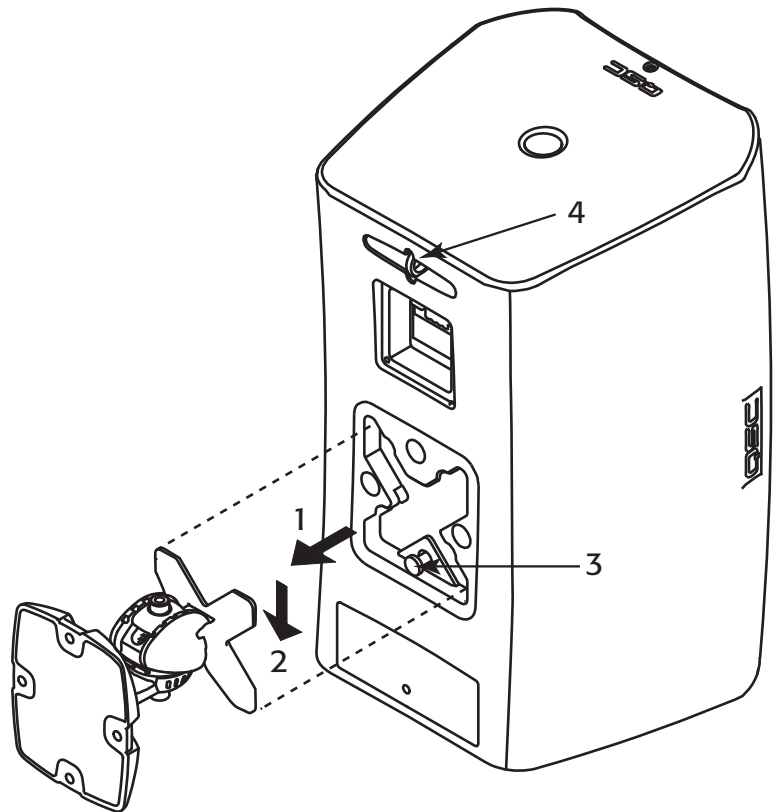
1. 将“X”插槽和 X-Mount™ 支架对齐，并把扬声器安放在支架上。(1)
2. 安放好扬声器后，下拉扬声器，将其锁在支架上。(2)
3. (可选) 拆卸和存放安全调整片(3)；直接拔出来。若要拆卸扬声器，请重新安装安全调整片，摁进去，然后拆卸扬声器。

连接一个安全绳拴（未提供）



警告！ 请勿把绳拴绑到安装支架上或固定安装支架的螺丝上。

1. 建议您在扬声器后面的安全环(4)上扣上一条安全绳拴，再把安全绳拴的另一端固定到墙上结构上足以承受扬声器重量的位置，以防扬声器掉下来。



— 图 6 —

悬挂扬声器

请参阅图 7。



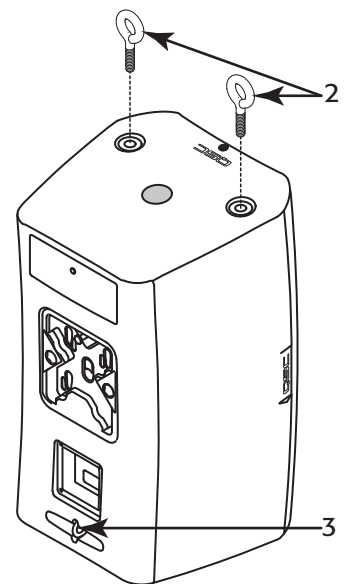
警告！ 按照地方建筑法规和条例悬挂扬声器。雇用持有许可证的承包商或专业工程师。QSC Audio Products 不对吊索或扬声器安装疏忽所造成的损坏负责。

可以使用回拖点和安装在外壳底部的 M10 吊环螺栓来悬挂 AcousticDesign 扬声器 (AD-S8T、AD-S10T 和 AD-S12 型号)。



注： 将外壳低音扬声器一侧朝上悬挂，高频 (HF) 靠近听众，与天花板和墙面一起，有助于提高低频响应。

1. 从扬声器外壳的底部卸下 2 个 M10 插头 (图中未显示)。
2. 在扬声器外壳的底部的 M10 安装点上安装两个 M10 -1.5 吊环螺栓 (2) (配件 M10 Kit-C)。
3. 在回拖点的绳拴安全环 (3) 上接上合适的绳索。



— 图 7 —

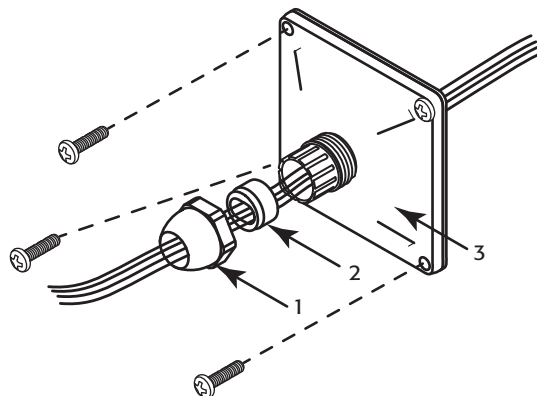
使用轭安装扬声器

除了上述安装方法，你还可以使用可选的轭安装组件，请参阅轭组件里提供的说明。请参阅“规格” on page 12 获取信息。

安装防护罩 (可选)

请参阅图 8。

1. 滑动螺母 (1)，压缩垫圈 (2) 和扬声器线上的天气防护罩/垫圈 (3)。
2. 将接线连接到欧式连接器，请参阅第 7 页的“为扬声器接线”
3. 安装欧式连接器。
4. 把护罩/垫圈 (3) 滑到接线盒旁边，在护罩内使用少量线、以减轻张力。
5. 用四个螺丝 (已提供) 把天气防护罩固定到外壳上。
6. 把压缩垫圈 (2) 滑到天气防护罩容器上。
7. 在防护套容器上滑动螺母并拧紧。

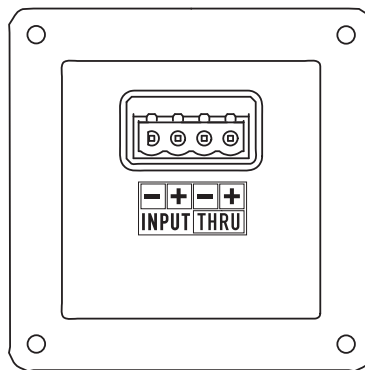
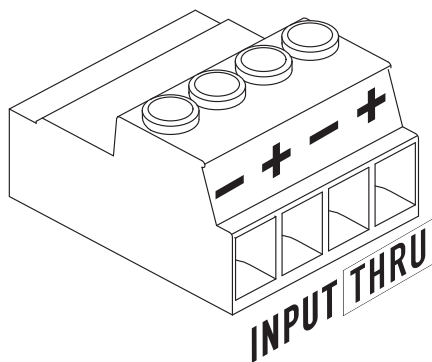


— 图 8 —

为扬声器接线

根据需要使用 12 量规的线。请参阅图 9。

1. 如果您使用可选天气防护罩，请确保线按照合适顺序接入防护套的三个部分。
2. 按照图示 +/- 将负极线和正极线接入“Input”。拧紧线夹螺丝。
3. 按照图示 +/- 把菊花链线接入“Thru”。把这些线接入到菊花链中的下一个扬声器。

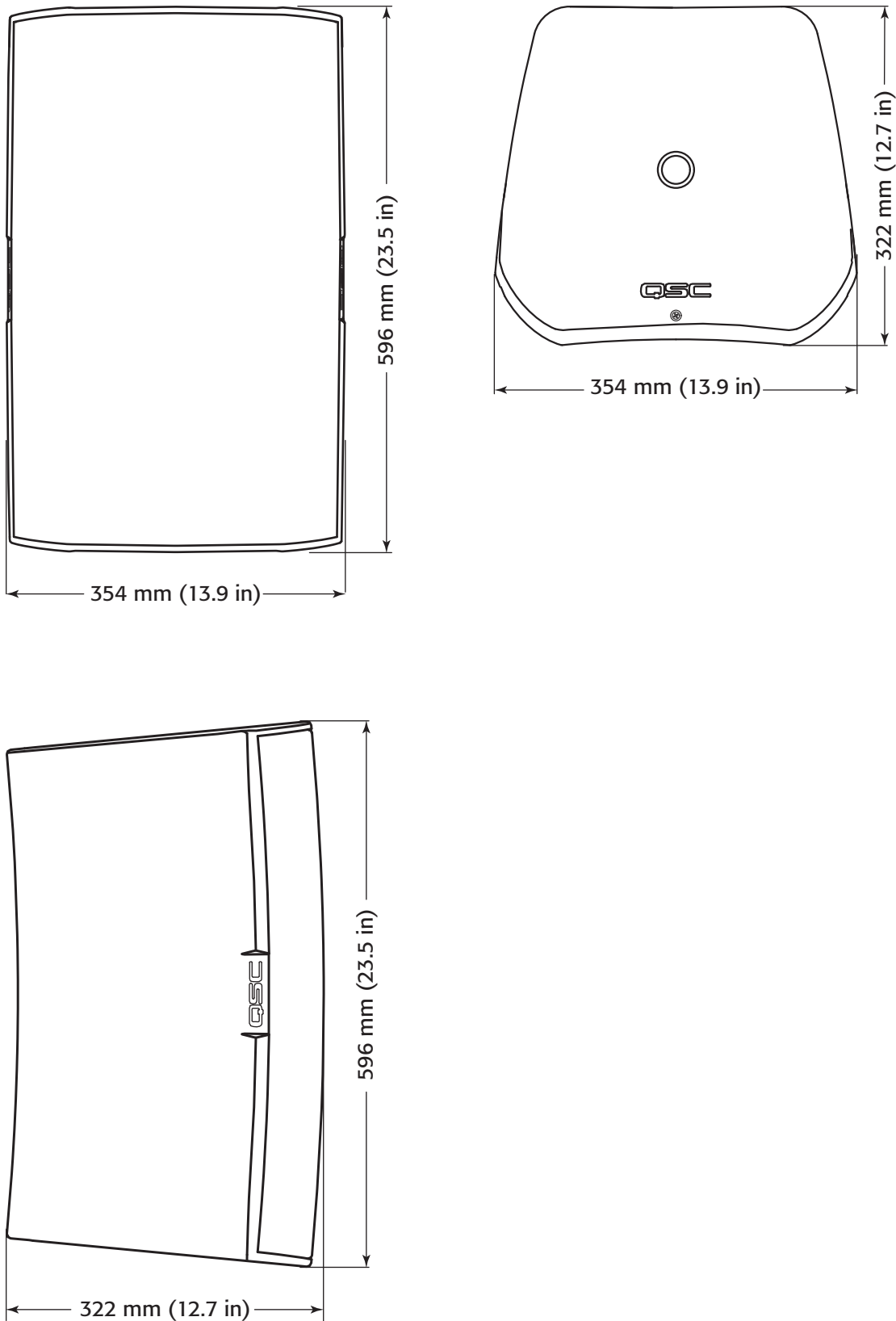


— 图 9 —

拆卸扬声器

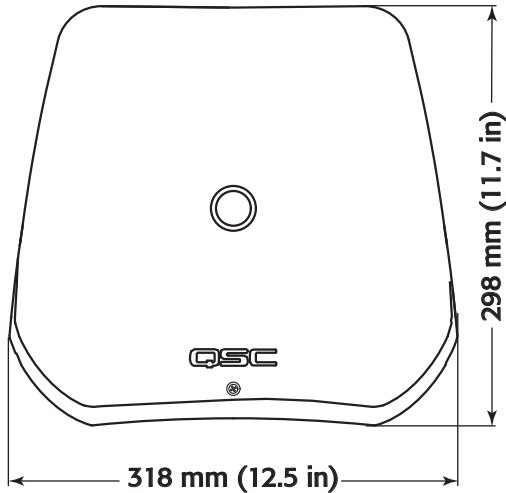
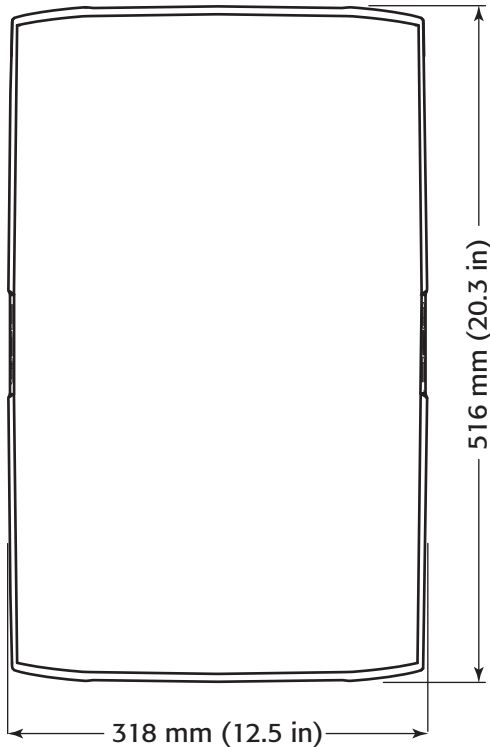
1. 确保断开所有线，拆除安全绳栓。
2. 如果位于扬声器底部的安全调整片没有拆卸掉，把调整片摁进去，把扬声器滑到与安装方向相反的方向。
3. 如果已经拆卸了安全调整片，重新插进去，或者用一个小棒 (<4 mm/0.16 英寸) 摁一下安装锁，打开安装锁。

AD-S12 尺寸

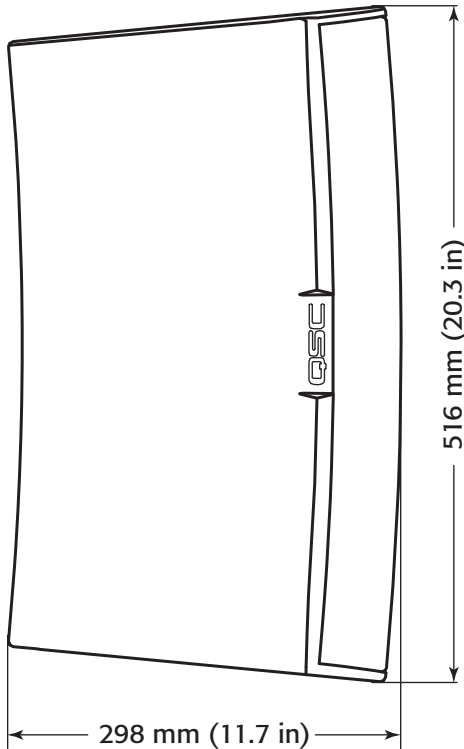


— 图 10 —

AD-S10T 尺寸

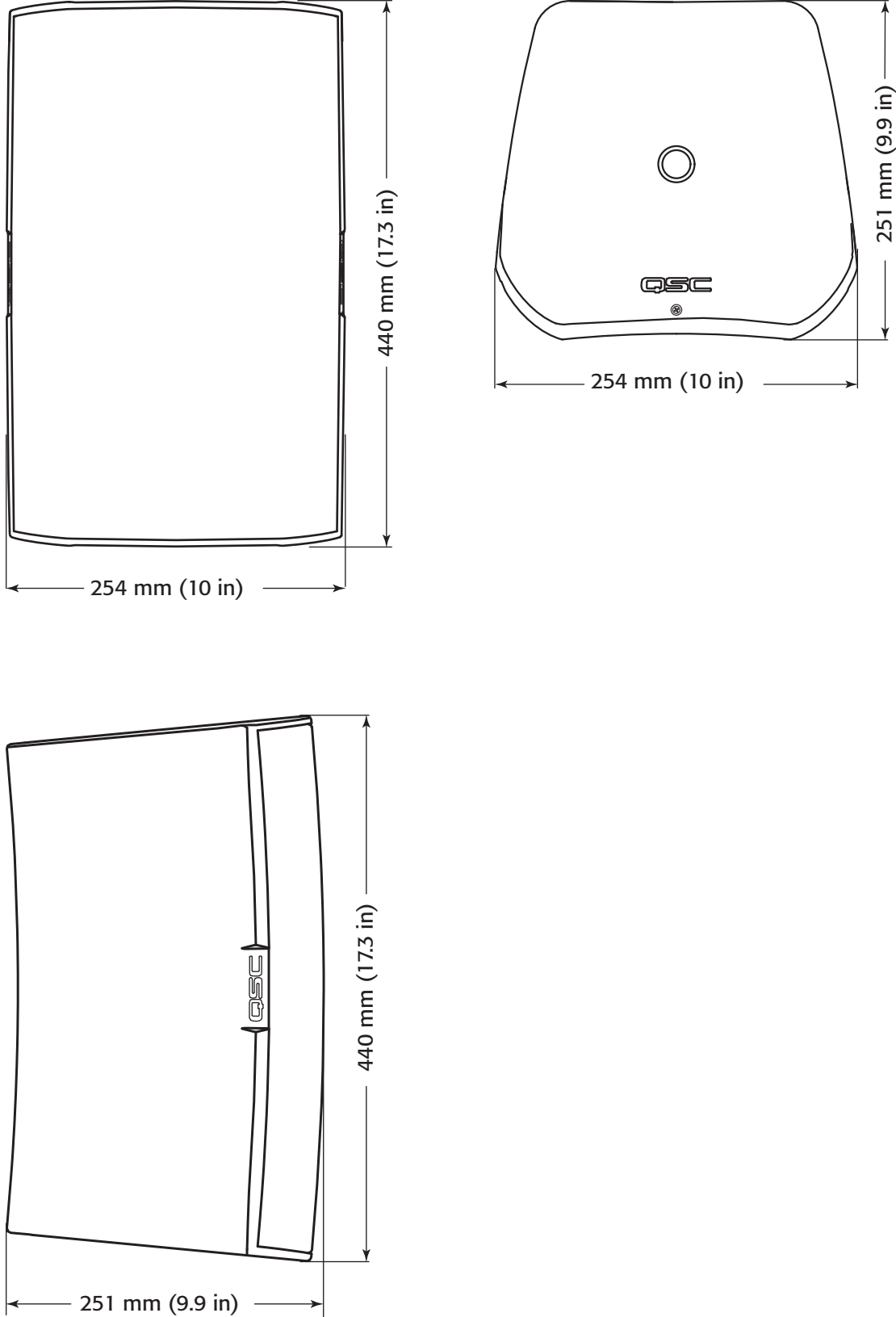


CH



— 图 11 —

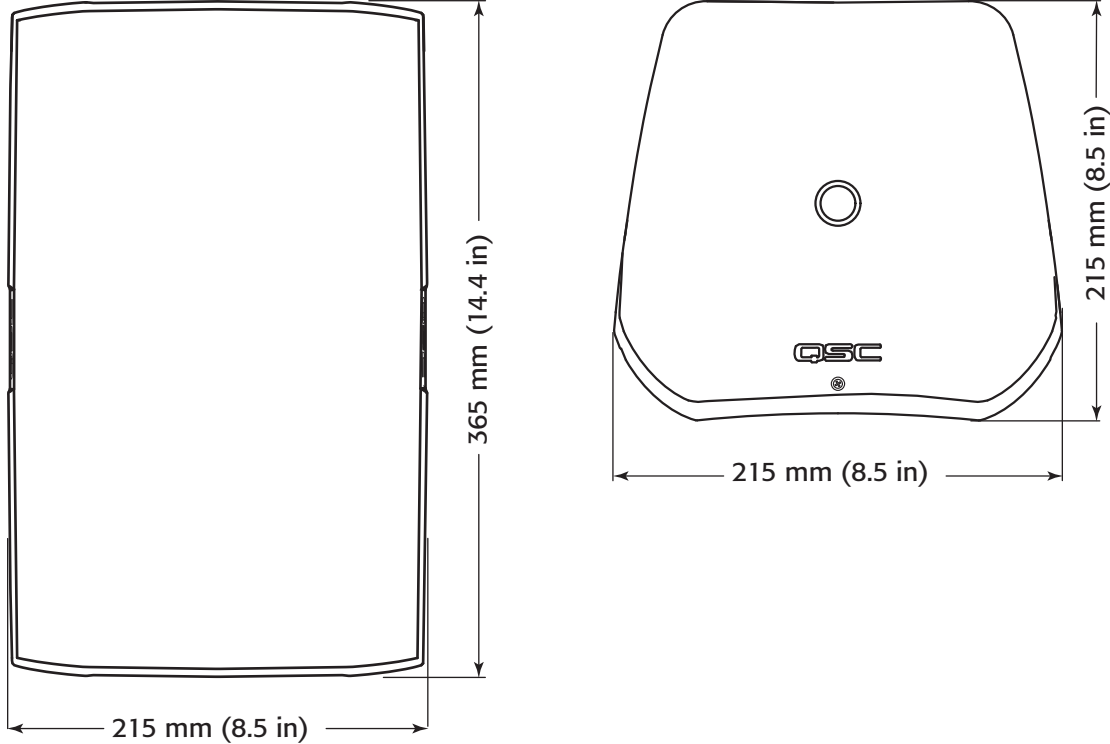
AD-S8T 尺寸



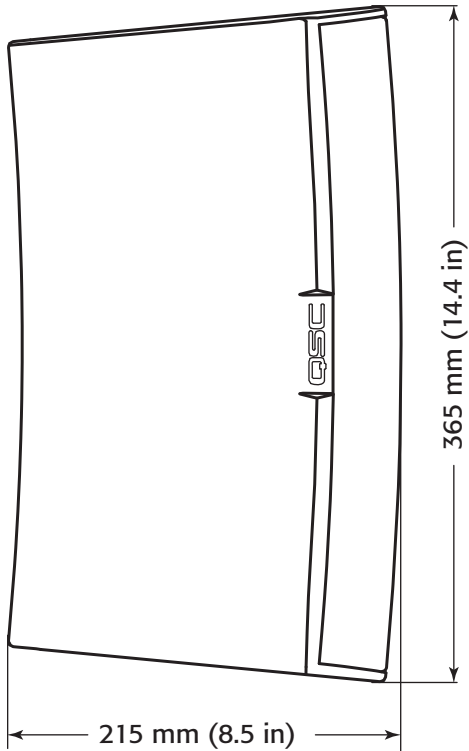
CH

— 图 12 —

AD-S6T 尺寸

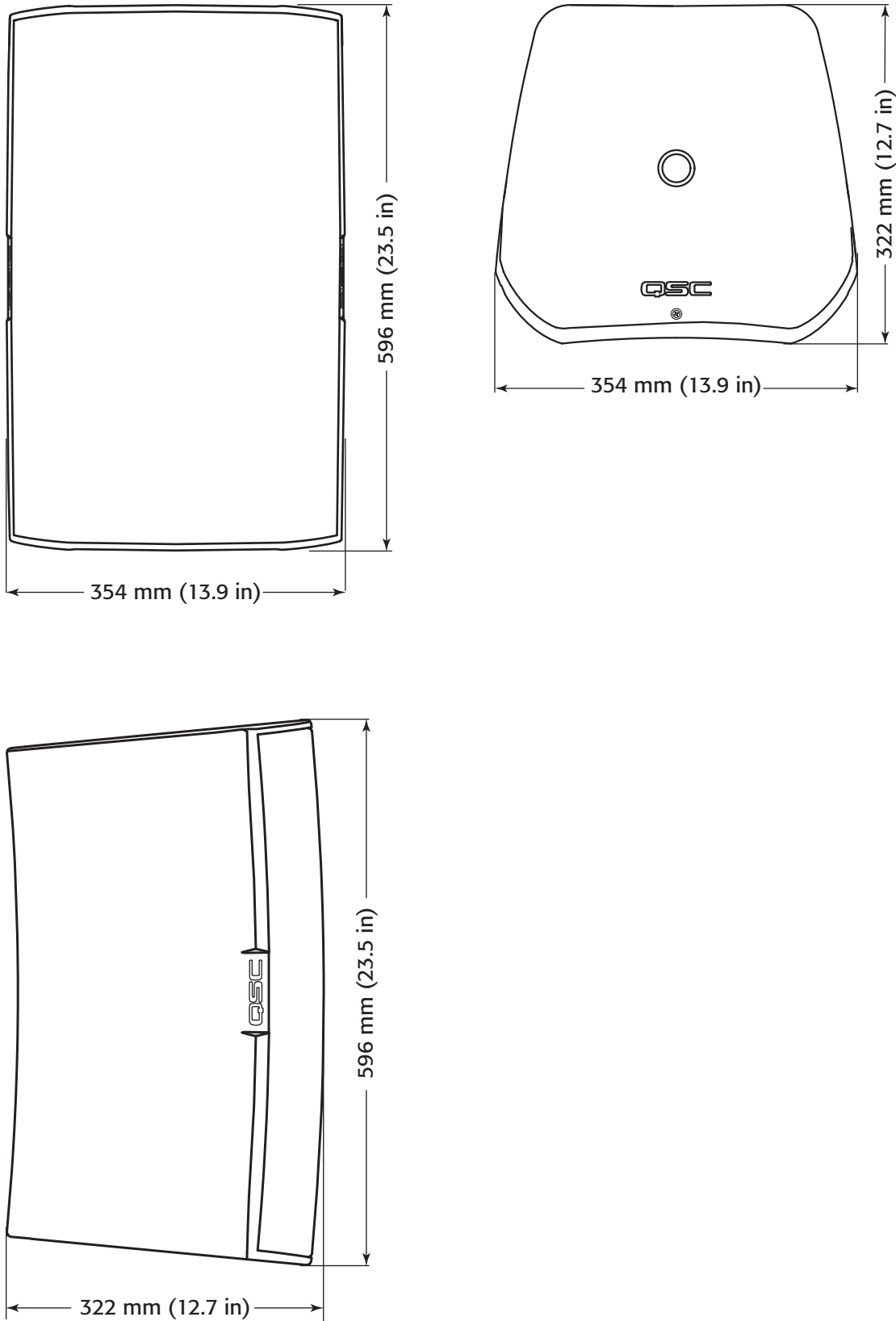


CH



— 图 13 —

AD-S112sw 尺寸



— 图 14 —

规格

	AD-S6T	AD-S8T	AD-S10T
配置	6英寸双向、设有变压器	8英寸双向、设有变压器	10英寸双向、设有变压器
有效频率范围 (-10dB) ¹	60–20kHz	55–20kHz	50–19kHz
额定电压/功率 ²	35Vrms/150W	40Vrms/200W	45Vrms/250W
宽频带灵敏度 ³	89dB SPL	90dB SPL	92dB SPL
覆盖角度 (-6dB) ⁴	105°	105°	90°
定向因数 (Q)	5	7	10
定向指数	7dB	9dB	10dB
最大连续SPL (1m) ⁵	110dB	113dB	116dB
最大峰值SPL (1m) ⁵	116dB	119dB	122dB
标准阻抗	8Ω	8Ω	8Ω
扩音器的建议功率	300W	400W	500W
变压器分接头70V	60、30、15、7.5W和8Ω的旁路	60、30、15、7.5W和8Ω的旁路	100、50、25、12.5W和8Ω的旁路
变压器分接头100V	60、30、15W和8Ω的旁路	60、30、15W和8Ω的旁路	100、50、25W和8Ω的旁路
高频变频器	1英寸丝绸圆顶高频扬声器/1英寸音圈 装载低音喇叭	1英寸出口/1.4英寸音圈压缩驱动器	1英寸出口/1.4英寸音圈压缩驱动器
低频换频器	6英寸耐风化低音扬声器纸盆、38毫米/1.5英寸音圈	8英寸耐风化低音扬声器纸盆、50毫米/2.0英寸音圈	10英寸耐风化低音扬声器纸盆、64毫米/2.5英寸音圈
输入连接器	并行输出的欧式连接器		
机罩详细信息			
材料	ABS聚合物		
表面处理	黑色 RAL 9011 或白色 RAL 9010 漆涂		
栅格	铝粉末涂层		
X-Mount材料	铝粉末涂层		
入口保护	符合IP-54规定的防尘、防水标准。		
运行环境	适用于室内外环境		
运行温度范围	-20至50°C/-4至122°F		
测试：如果通过了以下测试，就可以在户外使用：	盐雾：MIL-STD-810G 方法 509.5，100 小时。 湿度：MIL-STD-810G方法507.5，自然循环B2，周期高点RH持续7天。 高低温：根据QSC内部标准在-20°至50°C之间测试		
重量 (净重)	6.2 kg / 13.6 lbs	11 kg / 24 lbs	14 kg / 31 lbs
尺寸 (高x宽x深)	365 mm x 215 mm x 215 mm 14.4" x 8.5" x 8.5"	440 mm x 254 mm x 251 mm 17.3" x 10.0" x 9.8"	516 mm x 318 mm x 298 mm 20.3" x 12.5" x 11.7"
包含的附件	X-Mount™系统，欧式连接器，输入面板盖	X-Mount™系统、欧式连接器	X-Mount™系统、欧式连接器
可选附件	N/A	轭安装支架套件 YMS8T-WHT / YMS8T-BLK M10 Kit-C	轭安装支架套件 YMS10T-WHT / YMS10T-BLK M10 Kit-C

1 自由声场、轴向灵敏度-10dB

2 IEC60268-1噪音信号2小时

3 轴向、自由声场灵敏度，2.83V，1 m用3-10kHz的带宽测量的覆盖角度计算自额定噪音电压和灵敏度

4 用3-10kHz带宽测量的覆盖角度计算自额定噪音电压和灵敏度

5 计算自额定噪音电压和灵敏度

规格

	AD-S12	AD-S112sw
配置	12英寸双向	12英寸直接辐射亚低音扬声器
有效频率范围 (-10dB) ¹	52-20kHz	30-135Hz
额定电压/功率 ²	50Vrms/300W	50Vrms/300W
宽频带灵敏度 ³	95dB SPL	90dB SPL
覆盖角度 (-6dB) ⁴	75°	M10 Kit-C
定向因数 (Q)	12	N/A
定向指数	11dB	N/A
最大连续SPL (1m) ⁵	120dB	115dB
最大峰值SPL (1m) ⁵	126dB	121dB
标准阻抗	8Ω	8Ω
扩音器的建议功率	600W	600W
变压器分接头70V	N/A	N/A
变压器分接头100V	N/A	N/A
高频变频器	1英寸出口/1.4英寸音圈压缩驱动器	N/A
低频换频器	12英寸耐风化低音扬声器纸盆、64毫米/2.5英寸音圈	12英寸耐风化低音扬声器纸盆、64毫米/2.5英寸音圈
输入连接器	并行输出的欧式连接器	
机罩详细信息		
材料	ABS聚合物	
表面处理	黑色 RAL 9011 或白色 RAL 9010 漆涂 黑色RAL9011涂层	
栅格	铝粉末涂层	
轭架材料	粉末镀层镀锌钢	
入口保护	符合IP-54规定的防尘、防水标准。	
运行环境	适用于室内外环境	
运行温度范围	-20至50°C/-4至122°F	
测试：如果通过了以下测试，就可以在户外使用：	盐雾：MIL-STD-810G 方法 509.5，100 小时。 湿度：MIL-STD-810G方法507.5，自然循环B2，周期高点RH持续7天。 高低温：根据QSC内部标准在-20°至50°C之间测试	
重量 (净重)	16 kg / 35.0 lbs	13.2 kg / 29 lbs
尺寸 (高x宽x深)	596 mm x 354 mm x 323 mm 23.5" x 13.9" x 12.7"	596 mm x 354 mm x 322 mm 23.5" x 13.9" x 12.7"
包含的附件	X-Mount™系统、欧式连接器	轭架 白色或黑色, 欧式连接器
可选附件	轭安装支架套件 YMS12-WHT / YMS12-BLK M10 Kit-C	M10 Kit-C

1 自由声场、轴向灵敏度-10dB

2 IEC60268-1噪音信号2小时

3 轴向、自由声场灵敏度，2.83V，1 m用3-10kHz的
带宽测量的覆盖角度计算自额定噪音电压和灵敏度

4 用3-10kHz带宽测量的覆盖角度计算自额定噪音电压和
灵敏度

5 计算自额定噪音电压和灵敏度



通信地址：

QSC Audio Products, LLC
1675 MacArthur Boulevard
Costa Mesa, CA 92626-1468 USA

电话：

总机：(714) 754-6175
销售和市场部门：(714) 957-7100 或（仅限美国）免费电话 (800) 854-4079
客服部门：(714) 957-7150 或（仅限美国）免费电话 (800) 772-2834

传真：

销售和市场部门传真：(714) 754-6174
客服部门传真：(714) 754-6173

网址：

www.qsc.com

电子邮件：

info@qsc.com
service@qsc.com