



Installation speaker, 2 way passive, with high excursion 12" LF and 1.7" diaphragm HF.

The ePS12 speaker is a highly powerful installation-dedicated point source.

ePS12 main features

- High power (133 dB peak) point source dedicated to fixed installation markets, with or without its companion sub the eLS18.
- Lightweight (18 kg / 40 lbs) design using robust 15 mm Birch plywood enclosure.
- NEXO's Asymmetrical Dispersion Constant Directivity horn design ("PS" Horn), rotatable.
- IP55 protection level.
- Comprehensive range of versatile, accessories for deploying the ePS12 in a wide variety of fixed installation applications.

NEXO has always been well-known for its compact and very powerful versatile point source speakers, notably the worldwide reference PS Series.

This expertise is now applied to the ePS12, featuring a high excursion Neodymium 12" speaker coupled with a 1.7" diaphragm compression driver, in a slick and discrete design.

Advanced NEXO technology included

The ePS12 enclosure uses a 15 mm birch plywood shell. The result is a robust lightweight cabinet with exceptionally good sound quality. IP55 protection level is reached.

Its bass reflex acoustic design offers a very clean and deep low end response even at high levels.

The high excursion 12" LF driver uses a 3.0" voice coil while the HF compression driver has a 1.7" diaphragm, both ensuring a high peak output level.

The heart of the ePS12 is its Asymmetrical Dispersion Constant Directivity horn design, also known as the "PS" Horn.

Precise matching directivity

A satisfactory audience experience often necessitates compromise between the wide, short throw coverage required by listeners closest to the stage, and the narrow, long throw coverage required by those at the back of the venue.

The asymmetrical horns in ePS speakers are engineered so that vertical coverage is narrower above the horn axis than below. Easy for the user to rotate, this ensures optimum directivity for any fixed installation.

The connection at the back of the speaker is done through two (in/out) pairs of screws terminal blocks, while the included IP cover protects the connectors from moisture in outdoor applications.

A large set of compatible accessories

On each side of the cabinet, two M6 with 80 mm pitch + one M10 fittings will connect the ePS12 to U bracket, bumper or eye-bolts.

The back of the speaker is fitted with 3x M6 with 70 mm pitch to connect wallmount in both horizontal and vertical positions.

Finally dedicated accessories exist to hang the ePS12 below the optional eLS18 subwoofer, leading to a powerful wideband system.

Perfect phase alignment

ePS12 acoustic phase response is NEXO phase signature allowing inter-operability between all NEXO speakers at all crossover points, except for the monitor setups where latency is minimized.



Grille removed, the large PS horn used with the HF driver

NEXO is one of the world's leading sound reinforcement loudspeaker manufacturers. Founded in 1979, the company is dedicated to crafting practical solutions with solid engineering. Each new design begins with a proprietary sophisticated computer simulation process that allows every parameter to be extensively modeled and simulated, leading to breakthrough cost and performance gains. NEXO's comprehensive product line includes loudspeakers, analogue and digital control electronics and amplification; all designed to deliver consistent sound quality and long term reliability for a broad range of applications.

EPS12 WITH NEXO PROCESSING

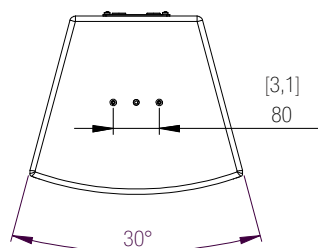
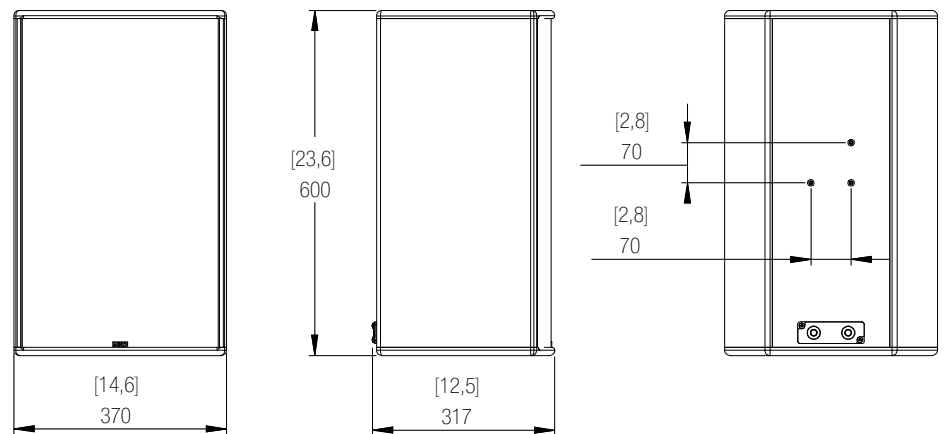
Frequency Response @-6 dB	60 Hz to 20 kHz
Sensitivity 1W@1m	103 dB SPL Nominal
Peak SPL@1m	133 dB
Vertical Dispersion	+25°/-30°
Horizontal Dispersion	50° to 100° asymmetrical
Crossover Frequency	60 Hz, 85 Hz, 120 Hz
Nominal Impedance	8 Ω
Recommended Power	600 to 950 Watts / 8 Ohms

PRODUCT FEATURES

Number of ways	2 way passive
LF Component	12" 8 Ohms long excursion neodymium driver
HF Component	1.7" diaphragm 8 Ohms HF driver on an Asymmetrical Dispersion ("PS") horn
Connectors	2 pairs (In/Out) of 7.62 mm pitch screw terminal blocks (+/- poles)
Compatible cables section	Cables from 0.75 mm ² to 3.31 mm ² (AWG 18 to 12) copper section
Compatible cables outside diameter	Cable with maximum outside diameter of 11 mm
Rigging points	3x M6 - 70 mm pitch rigging points (back) + 2x extra M6 and 1x M10 (top/bot)
Material	15 mm thick birch plywood body and galvanized grill
Finish	Black structural paint (RAL9005 or Custom RAL upon request)
Front Finish	UV & Fire resistant acoustic fabric
Height x Width x Depth	600mm x 370mm x 317mm (23.6" x 14.6" x 12.5")
Weight: Net	18 kg (40 lbs)
Operating temperature range	0°C - 40 °C (32° F - 104° F)
Storage temperature range	-20 °C - 60 °C (-4 ° F - 140° F)
IP Rating	IP55

SYSTEM OPERATION

Recommended powering solution	NXAMP4x1mk2 Powered TDcontroller: 1 x ePS12 per channel
Optional powering solution	DTDcontroller + DTDAMP4x0.7 : 1 x ePS12 per bridged channel
	DTDcontroller + DTDAMP4x1.3 : Up to 2 x ePS12 per channel
	NXAMP4x2mk2 Powered TDcontroller: Up to 4 x ePS12 per channel
	NXAMP4x4mk2 Powered TDcontroller: Up to 4 x ePS12 per channel



NEXO S.A.
 Parc d'Activité
 du Pré de la Dame Jeanne
 B.P. 5
 60128 PLAILLY
 Tel: +33 (0) 3 44 99 00 70
 Fax: +33 (0) 3 44 99 00 30
 e-mail: info@nexo.fr

LIMITED WARRANTY

NEXO loudspeakers and electronics are covered against defects in workmanship or materials for a period of five (5) years from the original date of purchase. At the option of NEXO the defective item will be repaired/replaced with no charge for materials/labour. The item is to be adequately packaged and dispatched, pre-paid, to a NEXO authorised distributor/service centre. Unauthorised repair shall void the warranty. The NEXO warranty does not cover cosmetics or finish and does not apply to any items which in NEXO's opinion have failed due to used abuse, accidents, modifications or any type of misuse. All images and text herein are the property of NEXO SA, and deemed accurate, although specifications are subject to change without notice.