

**KUBO3(T) / KUBO5(T)**  
Instruction manual



KUBO3(T) / KUBO5(T) manual



## Safety precautions

Please read carefully before proceeding and keep this manual for future reference.

Always follow the basic precautions listed below to avoid the possibility of serious injury or even death from electrical shock, short-circuiting, damages, fire or other hazards.

These precautions include, but are not limited to, the following:

- Take care of the loudspeaker wires; they should be free of damage. Damaged loudspeaker wires may result in poor sound quality and can damage amplifiers.
- No mains power shall be connected to the loudspeakers, doing so will damage the loudspeaker.
- This loudspeaker should only be serviced by qualified Apart Audio service personnel. If not, warranty might be void.
- Use cables of the right gauge, certainly for long runs.
- Use cables with clear color indication and maintain polarity throughout the whole system.
- Avoid loud feedback from microphones; this can damage your loudspeakers.
- Clean only with dry cloth.
- Do not operate near heaters or place it near other apparatus which produce a lot of heat.
- Only use accessories specified by the manufacturer.
- Make sure the mounting panel can easily support the loudspeaker's weight.

- Use only industry-accepted mounting tools and methods.
- Exposure to loud audio levels over a long time can cause severe hearing loss.
- Don't forget to consult the local law directions regarding producing sound in public places.
- Please check the unit's condition after unpacking. If the outside of the carton box has been damaged, inform your shipper immediately.
- Do not open the loudspeaker or attempt to disassemble the internal parts or modify them in any way. If it should appear to be malfunctioning, discontinue use immediately and have it inspected by qualified Apart Audio service personnel.
- Do not expose the loudspeaker to water, damp or wet conditions. This can damage the loudspeaker.
- Always attach the safety cable to the provided cabinet insert to secure the loudspeaker to the building structure. Failure to do so could result in injury or even death in the event of a failure of the primary mounting support system. Please, be guided by applicable building codes here.

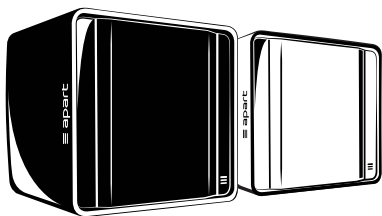
---

The warranty of this product and the applicable terms and conditions are provided by the dealer where you purchased this product.

## When design and technology go hand in hand

Kubo is the result of the increasing market demand for stylish and more subtle design audio products. The Apart research & development department was able to create a top-notch product offering amazing sound quality and performance in a discrete and neutral housing. The unseen original and timeless Kubo cabinet will blend audio in with any kind of interior, adding elegance to any architect designed environment.

The K-Mount bracket combined with the carefully designed fixing K-bolts offers you a safe and comfortable loudspeaker hook-up. The easy cable management and 140° vertical or horizontal mounting possibility allows you to install the Kubo everywhere on any type of wall or ceiling.



The Kubo series comes with a 3" full range driver unit or 5.25" two-way loudspeaker system and bass reflex port providing a fast and dynamic bass response.

Both models are available in T-version with a rotatable 70 / 100 volt power tapping selector, with 16 ohms connection. The in & link connection with euroblock connectors, allows for easy daisy chaining of multiple loudspeakers. The installer friendly end-caps, held in place by 14 integrated strong neodymium magnets, hide all connections and bracket hardware on both sides.

The exceptional symmetrical cube-shaped and smart installer-friendly designed Kubo is bound to become another legendary Apart product for the small and mid-sized AV market.

## Features

- Stylish and subtle design
- Loudspeakers designed to be used in combination with the included K-Mount bracket
- Wall and ceiling mountable
- Vertical or horizontal mountable (140°)
- 3" driver for KUBO3(T) and 5.25" driver with 1" tweeter for KUBO5(T)
- Bass reflex
- Easy cable management
- Fixing K-bolts give you a safe and comfortable hook-up
- The power selector switch on the side of the loudspeaker makes it very easy and fast to balance an installation
- Paintable in any RAL color
- 40 W dynamic power handling for KUBO3(T) and 80 W for KUBO5(T)
- 8 ohm and 16 ohm (T) versions available
- 70 V and 100 V compatible (T versions)
- End-caps on both sides hide all connections and bracket hardware
- Typical brilliant Apart sound
- In & link connection with euroblock connectors allows easy daisy chaining of multiple loudspeakers
- High intelligibility while remaining perfect music reproduction quality
- Supplied with safety cable
- Integrated safety nut for supplied SAF CAB

## Supplied items / unpacking

Unpack the contents and confirm following items are included.

- Loudspeaker x 2
- Loudspeaker side covers x 4
- Bracket x 2
- Safety cable x 2
- Mounting screws x 1
- Instruction manual x 1
- Connection terminal x 4

Loudspeaker cable is not included.

## Installation instructions

### **ATTENTION**

Apart Audio nv is not responsible for damages resulting from the negligent installation of any loudspeaker.

### **WARNING**

Please make sure that the mounting structure is capable of safely supporting the loudspeaker's weight.

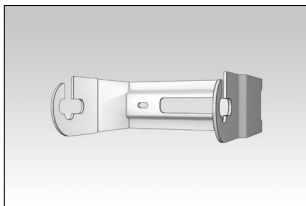


1

Determine the position where the bracket will be mounted on the wall or ceiling.



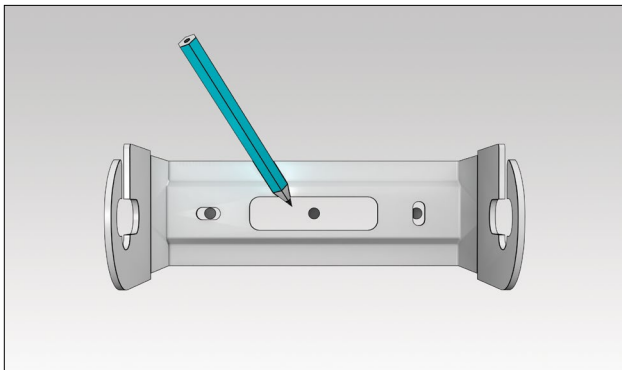
**vertical bracket alignment**



**horizontal bracket alignment**

2

Mark two mounting holes on the wall or ceiling and mark the mounting hole in the middle for an invisible installation of the safety cable (see below).



3

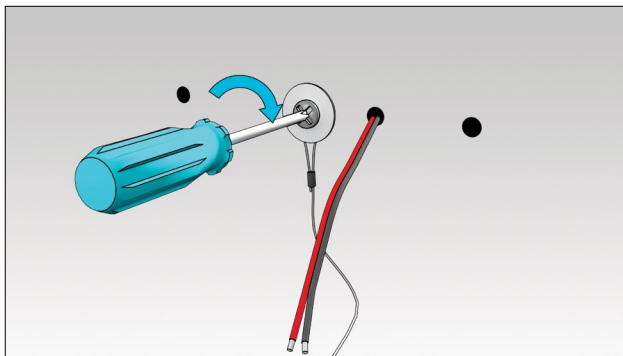
If the bracket is to be mounted on stone or concrete, drill the mounting holes (stone drill 6 mm). Attach the bracket using the adequate hardware.

For wood use only the screws, for other material use the correct fixing material. Use only hardware capable of supporting the loudspeaker's weight safely. Be careful when you drill the holes in the wall or ceiling: make sure not to drill into the loudspeaker cables or other objects hidden inside the wall or ceiling.

**concrete****plasterboard****wood****other**

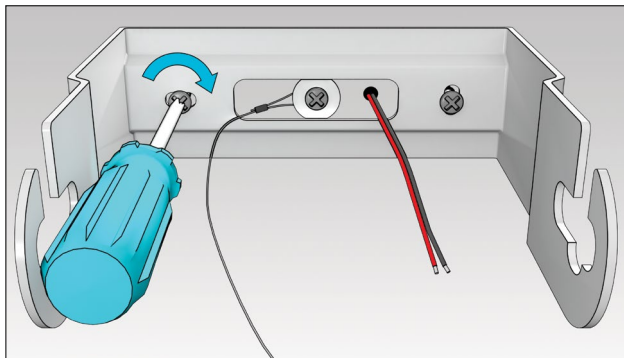
4

Install the safety cable on the wall.



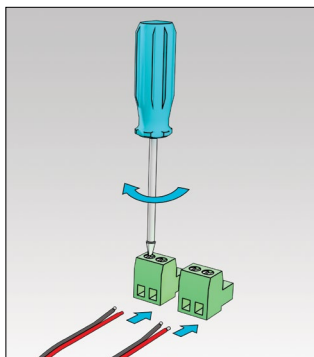
5

Mount the bracket on the wall.



6

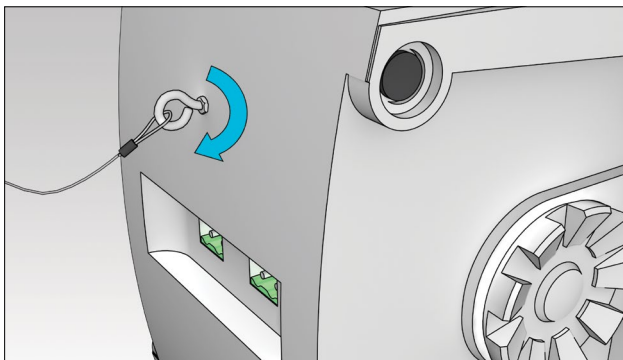
Connect the loudspeaker cables to the euroblock terminals.



The use of wire ferrules is strongly recommended when stranded wire is used.

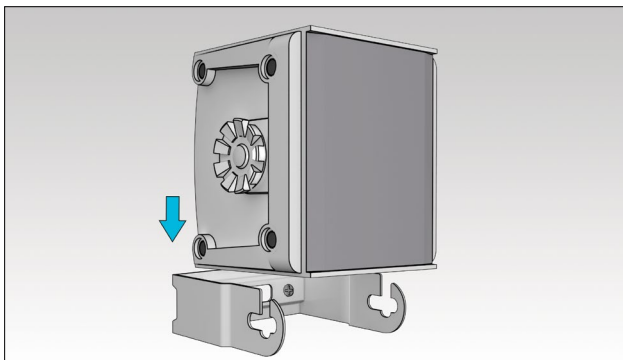
7

Connect the safety cable to the integrated safety nut.



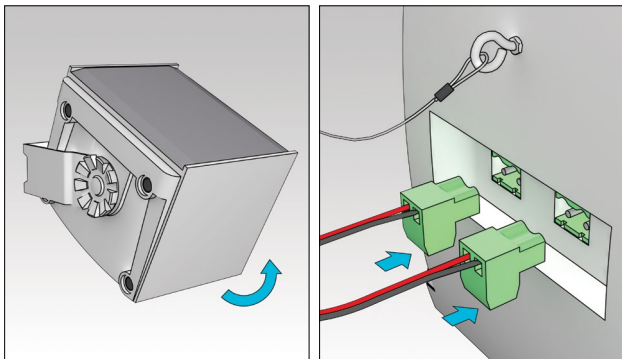
8

Slide the loudspeaker into the K-Mount.



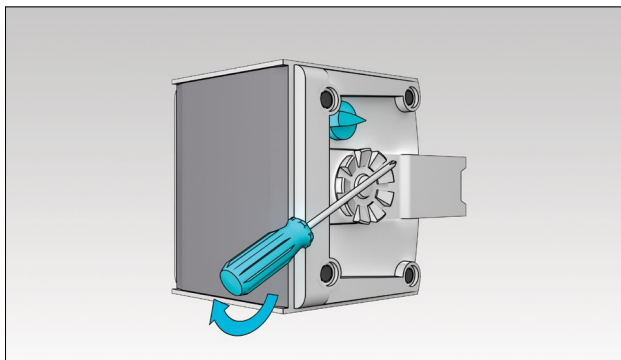
9

Rotate the loudspeaker and connect the euroblock connectors.



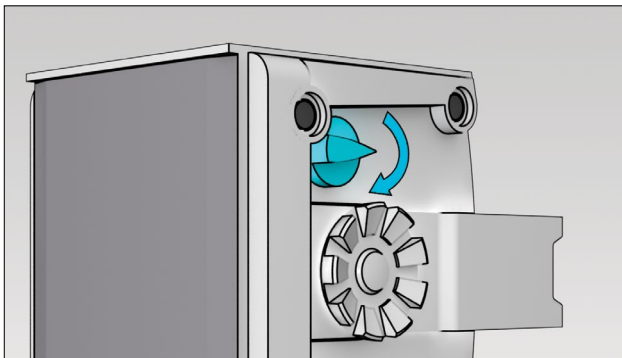
10

Tighten the fixing bolts by hand or with a screwdriver if the space between the wall and the loudspeaker is limited.



11

On the 70 / 100 volt versions, set the selector according to the required power rating or connection type.

**WARNING**

Set the power tapping prior to applying audio and only change the setting while the audio amplifier is shut off.

**WARNING**

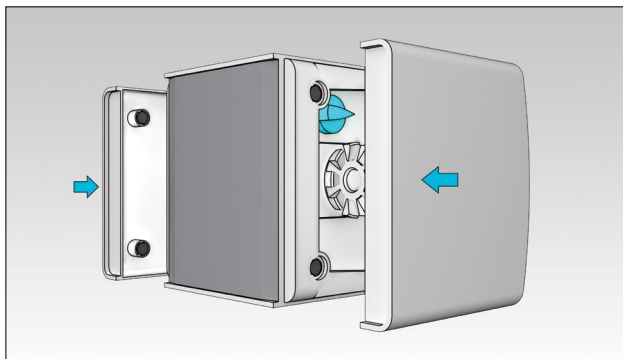
The 16 ohm setting is not compatible with 70 volt or 100 volt line amplifiers!

**WARNING**

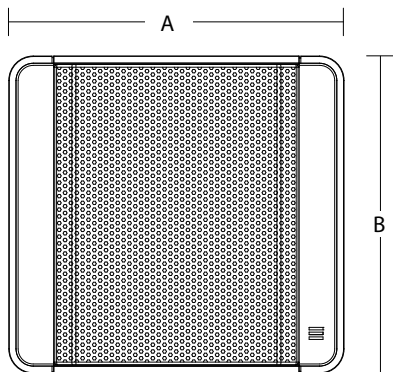
The highest 70 volt power setting is not compatible with 100 volt line amplifiers, only with 70 volt line amplifiers.

12

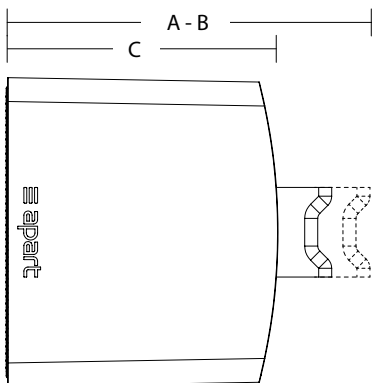
Finish the installation by mounting the supplied magnetic end caps.



## Technical drawings - KUBO5(T)



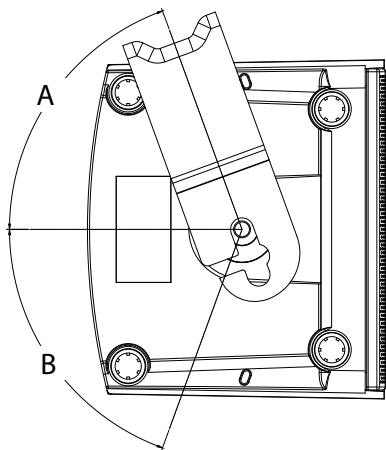
	mm	inch
A	164	6.44
B	155	6.10



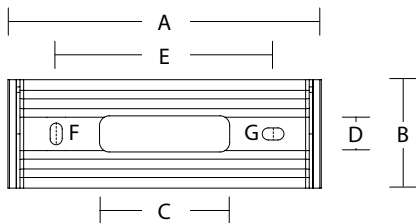
	mm	inch
A	164	6.46
B	185	7.28
C	136	5.34



## Technical drawings - KUBO5(T) bracket

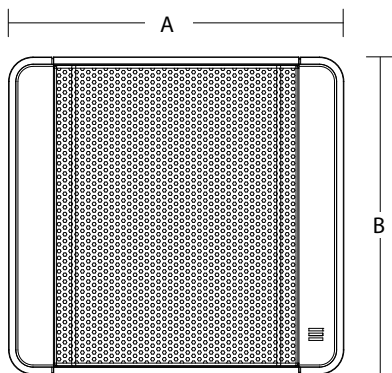


	degrees
A	70
B	70

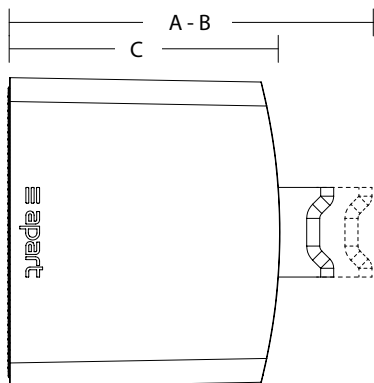


	mm	inch
A	130	5.12
B	45	1.77
C	54	2.13
D	15	0.59
E	90	3.54
F	9	0.35
G	5	0.20

## Technical drawings - KUBO3(T)

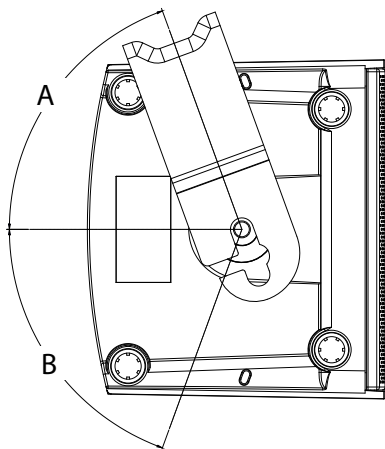


	mm	inch
A	131	5.17
B	125	4.92

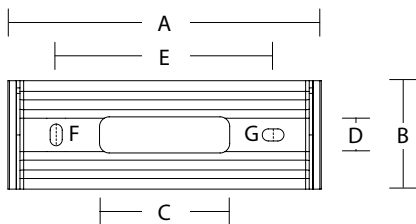


	mm	inch
A	131	5.16
B	149	5.87
C	109	4.31

## Technical drawings - KUBO3(T) bracket



	degrees
A	70
B	70



	mm	inch
A	107	4.21
B	36	1.42
C	54	2.13
D	10	0.39
E	80	3.15
F	8	0.31
G	5	0.20





**developed**  
**by**  
Apart Audio nv  
Industriepark Brechtsebaan 8 bus 1  
2900 Schoten - Belgium

Company names, product names and trademarks are property of their respective owners.

Apart Audio specifications are subject to change without notice.

